

NAUTILAIR

150231-00

MECHANICAL

DIAMETER: 8.9" (226mm)
DISCHARGE TYPE: Tangential
DISCHARGE: Standard Rectangular Flange
APPROXIMATE WEIGHT: 10lbs/4.5kg

PERFORMANCE

FLOW CLASSIFICATION: High Output
STAGES: 1 Stage

TEMPERATURE

OPERATING TEMP: 0°C to 50°C
STORAGE TEMP: -40°C to 85°C

ELECTRICAL

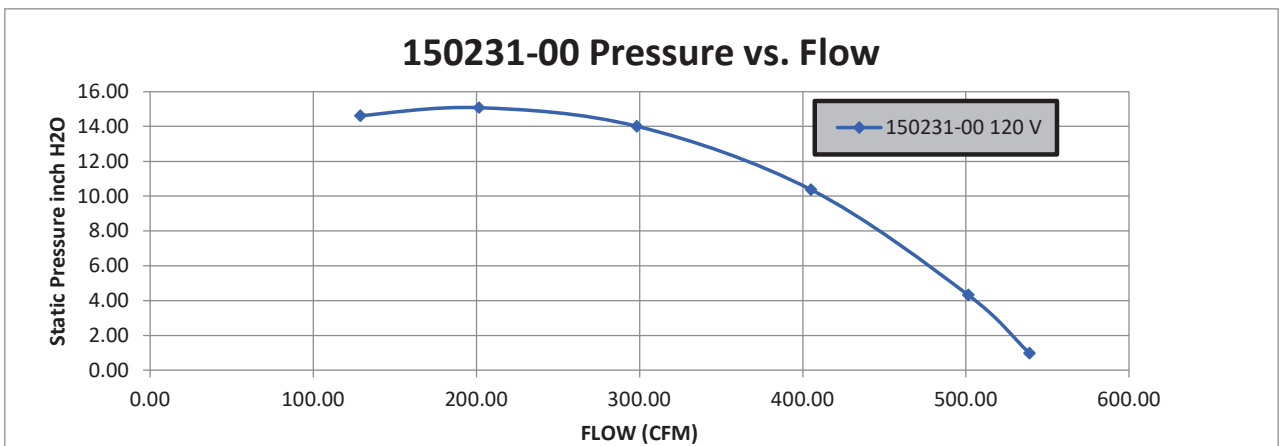
OPERATING INPUT VOLTAGE RANGE:108-113
OPERATING INPUT VOLTAGE: 120v

OPTIONAL FEATURES

SPEED CONTROL: 0-10 VDC Electrical Speed
 5-Pin Power Connector, Closed Loop

REGULATORY CERTIFICATIONS

COMPLIANCE: RoHS and Reach
UL FILE NUMBER: E94403
AGENCY FULL LOAD AMPS: 13A



Flow Rate <i>cfm</i>	Static Pressure <i>inch H2O</i>	Total Pressure <i>inch H2O</i>	Current <i>A</i>	Power Demand <i>W</i>	Voltage <i>V</i>	Flow Temp. <i>°C</i>	Rotational Speed <i>rpm</i>	Static Efficiency <i>%</i>	Total Efficiency <i>%</i>
538.88	0.98	1.45	15.20	1157.79	120.18	21.87	8590	5.37	7.94
501.38	4.32	4.73	15.22	1157.23	120.16	22.30	8900	22.00	24.07
405.05	10.37	10.63	14.55	1098.64	120.29	23.20	9610	44.91	46.06
298.25	14.01	14.16	12.80	956.94	120.46	24.04	10260	51.32	51.84
201.43	15.08	15.15	10.52	768.39	120.81	24.17	10300	46.45	46.65
128.91	14.62	14.64	8.89	643.15	121.02	24.17	10330	34.42	34.48

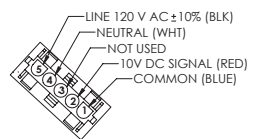
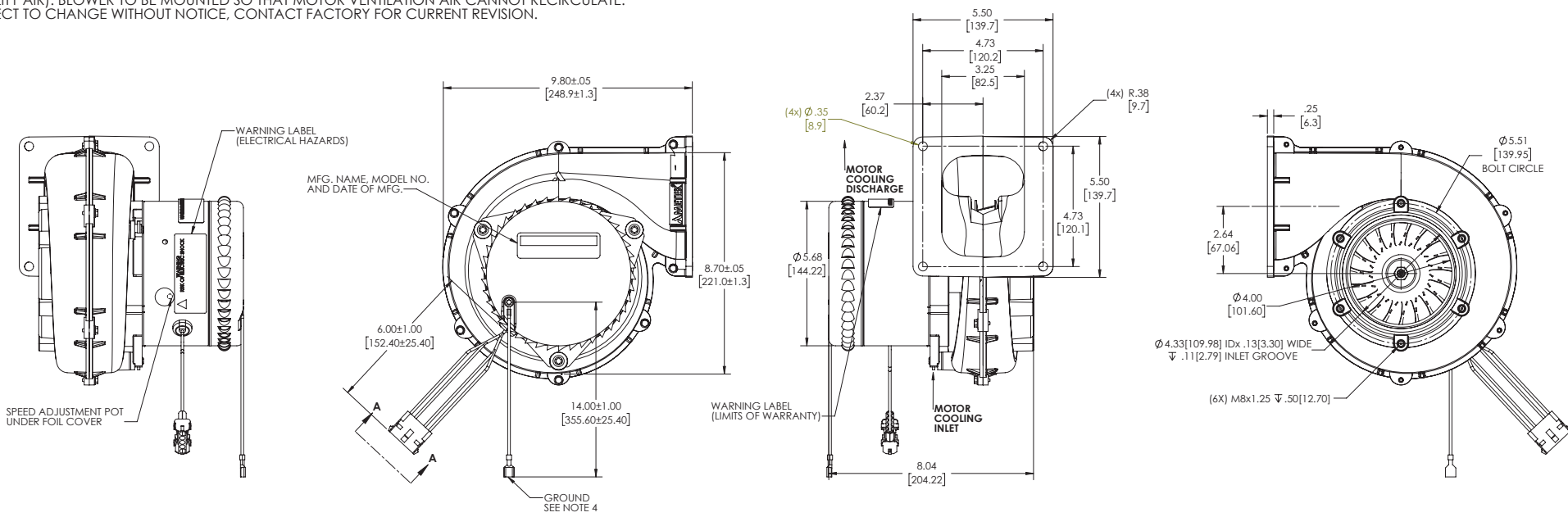
WARNING

DESIGN APPLICATION: Designed to provide variable airflow for low NOx and CO emission in high efficiency gas fired combustion systems. Built with non-sparking materials. Blower housing assembly constructed of die cast aluminum. Impeller constructed from hardened aluminum. Rubber isolation mounts built into blower construction to dampen vibration within the motor. Two-piece blower housing assembly sealed, and factory leak checked. Customer is responsible to check for any leakage once the blower is installed into the final application.

MISCELLANEOUS: Motor cooling inlet and discharge vents must not be obstructed. Motor ventilation air to be free of oils and other foreign particles. Blower is to be mounted so ventilation air cannot be re-circulated.

NOTES:

1. ROHS AND REACH COMPLIANCE. REFERENCE AMETEK ENVIRONMENTAL SPECIFICATION ES0010 FOR DETAILS.
2. INLET GROOVE ACCEPTS-245 O-RING AS GASKET.
3. POWER/SPEED CONTROL PORT MATES WITH:
AMP HOUSING-350809-1
CONTACT-350873-1 (POWER) 350561-1 (SIGNAL)
4. GROUND LEAD: 18GA. 105°C, 600V RATED WIRE; GREEN/YELLOW WITH FEMALE TERMINAL.
AMP P/N 41274 .25[6.35] x .03[.81].
5. ALL INTAKE, EXHAUST, COOLING DUCTS AND VENTS MUST NOT BE OBSTRUCTED BY MOUNTING.
6. MOTOR VENTILATION AIR TO BE FREE OF OILS AND OTHER FOREIGN PARTICLES, (I.E. BREATHING QUALITY AIR). BLOWER TO BE MOUNTED SO THAT MOTOR VENTILATION AIR CANNOT RECIRCULATE.
7. SUBJECT TO CHANGE WITHOUT NOTICE, CONTACT FACTORY FOR CURRENT REVISION.



SECTION A-A
SCALE 1 : 1