

MICO electronic circuit protection, 2 CHANNELS

IN: 24 V DC OUT: 24 V DC / 1-2-3-4 A

MICO 2.4
2 channels
Current adjustment 1, 2, 3, 4 A

[Link to Product](#)**Illustration**

Product may differ from Image

Approvals**Input**

Operating voltage	24 V DC (18...30 V DC)
-------------------	------------------------

Output

Current adjustment	1 A, 2 A, 3 A, 4 A, by countersunk rotary switch, sealed
Inrush capacity	max. 20 mF (per channel)

Control inputs

Input voltage (ON)	10...30 V DC
Impulse length (ON)	min. 20 ms

Control outputs

Group alarm output	potential free 30 V AC/DC, 100 mA
--------------------	-----------------------------------

General data

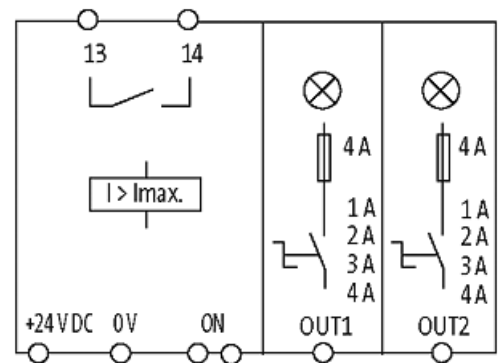
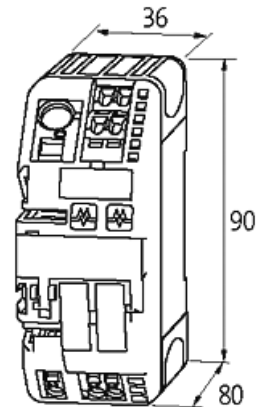
Connection	Spring clamp terminals
Input terminals	1 × 16 mm ²
Output terminals	per output 1 × 4 mm ²
Alarm terminals	2.5 mm ²
Bridging concept	one side, with spring clamp terminals or bridge set (max. 40 A)
Mounting method	DIN-rail mountable TH35 (EN 60715)
Dimensions H×W×D	90×36×80 mm

Temperature range 0...+55 °C (storage temperature -40...+80 °C)

Commercial data

country of origin	CZ
customs tariff number	85363010
EAN	4048879064828
eClass	27141901
Packaging unit	1

Sketch



Product may differ from Image