

EXACT12, 4XM12, 5-POLE, BASIC HOUSING

Without homerun-cable

4-way, 5-pole

Form PNP

Screw plug-in terminals

Plastic housings with good resistance against chemicals and oils.

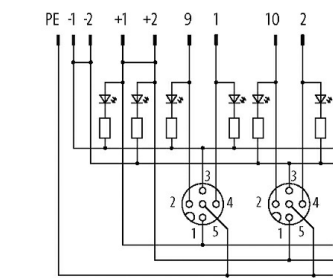
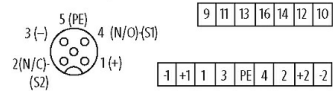
The resistance to aggressive media should be individually tested for your application. Further details on request.

[Link to Product](#)

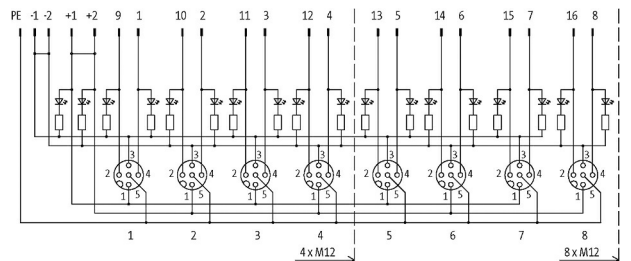
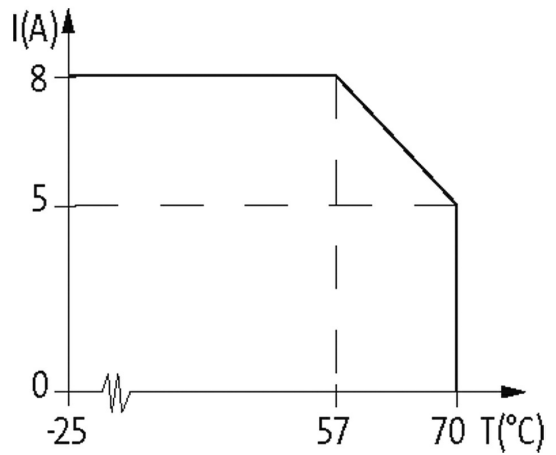
Illustration



M12-Females 5-pole

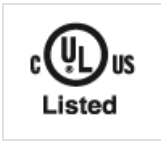


for 2 signals per port



Product may differ from Image

Approvals



Contact Layout

PIN 1	(+)
PIN 2	(NC)/(S2)
PIN 3	(-)
PIN 4	(NO)/(S1)
PIN 5	(Earth)
LED display	LED (green): Power / LED (yellow): (S1) / LED (white): Signal (S2)

General data

Temperature range	-20...+70 °C
-------------------	--------------

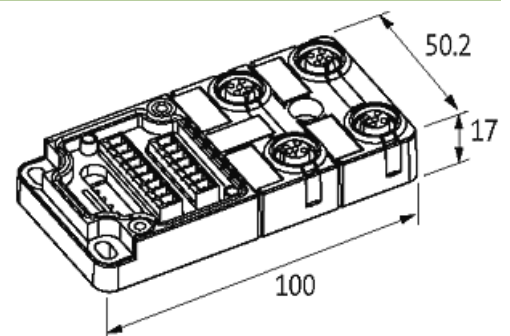
Technical Data

Operating voltage	24 V DC
Operating current per contact	max. 4 A
Total current	max. 8 A
Protection	IP65/IP67
Housing	Plastic, flame retardant

Commercial data

country of origin	DE
customs tariff number	85369010
EAN	4048879055857
eClass	27279219
Packaging unit	1

Sketch



Product may differ from Image