

EXACT12, 4XM12, 4 POLE CAP, PLUG. SPRING TERM.

Self wireable, PNP LED

4-way, 4-pole

Form PNP

Spring clamp plug-in terminals

Plastic housings with good resistance against chemicals and oils.

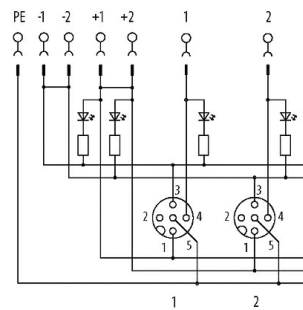
The resistance to aggressive media should be individually tested for your application. Further details on request.

[Link to Product](#)

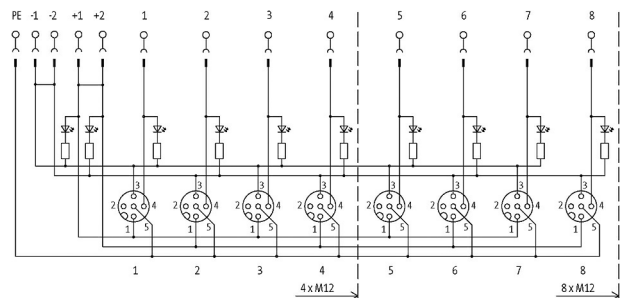
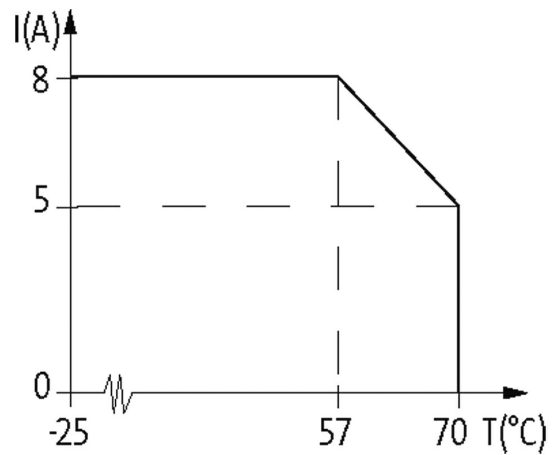
Illustration



M12-Females 4-pole



for 1 signal per port



Product may differ from Image

Approvals

The information in this brochure has been compiled with the utmost care. Liability for the correctness completeness and topicality of the information is restricted to gross negligence. Version: 11/20



Contact Layout

PIN 1	(+)
PIN 3	(-)
PIN 4	(NO)/(S1)
PIN 5	(Earth)
LED display	LED (green): Power / LED (yellow): (S1)

General data

Temperature range	-20...+70 °C
-------------------	--------------

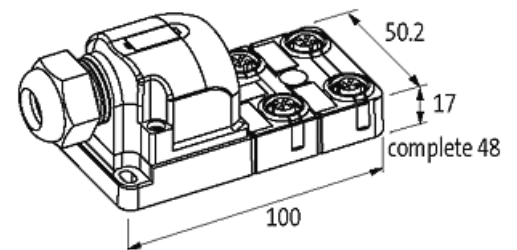
Technical Data

Operating voltage	24 V DC
Operating current per contact	max. 4 A
Total current	max. 8 A
Connection	Spring clamp plug-in terminals: max. 1.5 mm ² (AWG 16)
Protection	IP65/IP67
Housing	Plastic, flame retardant

Commercial data

country of origin	DE
customs tariff number	85369010
EAN	4048879055963
eClass	27279219
Packaging unit	1

Sketch



Product may differ from Image