

EXACT8, 10XM8, 3 POLE PLUG. CAP, SPRING-TERM.

5.0m PUR 10*0,34+2*0,75 exit norm..

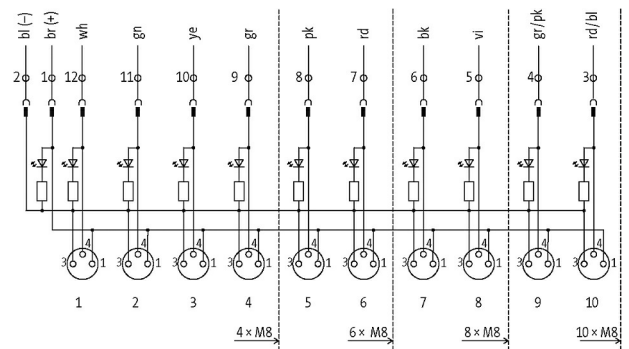
10-way, 3-pole

Further cable lengths on request.

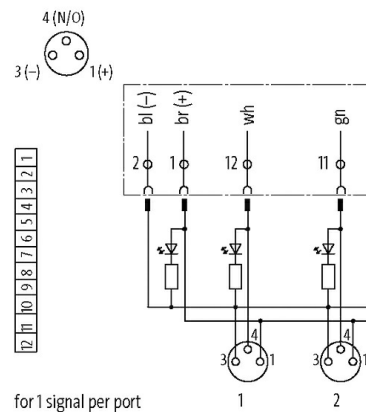
Plastic housings with good resistance against chemicals and oils.

The resistance to aggressive media should be individually tested for your application. Further details on request.

5.0 m

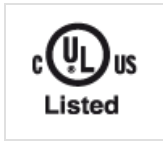
[Link to Product](#)**Illustration**

M8-Females 3-pole



Product may differ from Image

Approvals



Contact Layout

PIN 1	(+)
PIN 3	(-)
PIN 4	(NO)/(S1)
LED display	LED (green): Power / LED (yellow): (S1)

General data

Temperature range	-20...+80 °C, depending on cable quality
-------------------	--

Cables

Cable number	384
No./diameter of wires	10× 0.34 + 2× 0.75 mm ²
C-track properties	5 Mio.
Jacket Color	gray
Material (jacket)	PUR (UL/CSA)
Outer Ø	9.3 mm ±5%
Bend radius (fixed)	5× outer Ø
Bend radius (moving)	10× outer Ø
Temperature range (fixed)	-40...+80 °C
Temperature range (mobile)	-5...+60 °C
Color (jacket)	gray
Approval (cable)	UL (AWM-Style 20233), CSA

Technical Data

Operating voltage	24 V DC
Operating current per contact	max. 2 A
Total current	max. 8 A
Signal per port	1 - (31-32)
Connection	Spring clamp plug-in terminals: max. 1.5 mm ² (AWG 16)
Protection	IP67 inserted and tightened (EN 60529)
Housing	Plastic, flame retardant
Locking of ports	Screw thread (M8×1 mm)

Commercial data

country of origin	CZ
customs tariff number	85444290
EAN	4048879056885
eClass	27279219
Packaging unit	1