

MVP-METALL, 8XM12, 5POLE, PRE-WIRED CABLE

3.0m PUR 16x0,5+3x1,0, UL/CSA

8-way, 5-pole

with LED for digital PNP-signals 24 V DC

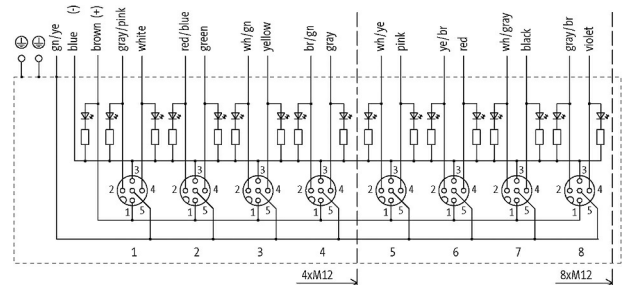
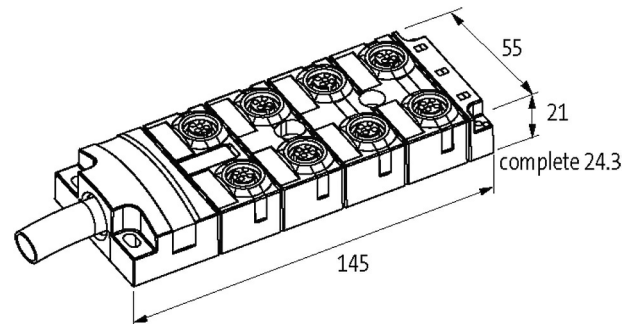
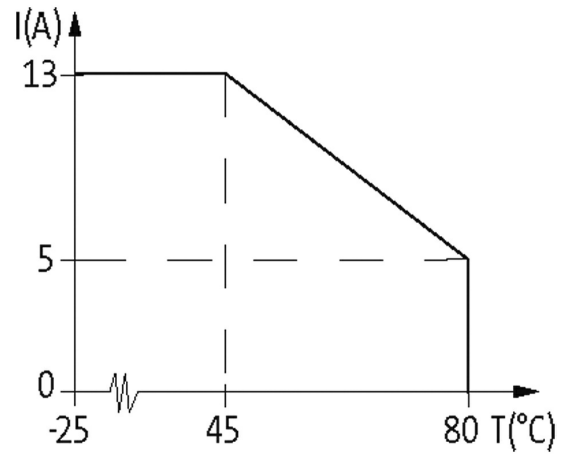
Further cable lengths on request.

3.0 m

Replaces identical product (Art.No. 27491)

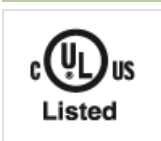
[Link to Product](#)

Illustration



Product may differ from Image

Approvals



Contact Layout

PIN 1 (+)

| | |
|-------------|--|
| PIN 2 | (NC)/(S2) |
| PIN 3 | (-) |
| PIN 4 | (NO)/(S1) |
| PIN 5 | (Earth) |
| LED display | LED (green): Power / LED (yellow): (S1/S2) |

General data

| | |
|-------------------|--|
| Temperature range | -20...+90 °C, depending on cable quality |
|-------------------|--|

Cables

| | |
|---------------------------------|--|
| Cable number | 452 |
| No./diameter of wires | 16× 0.5 + 3× 1.0 mm ² |
| Wire isolation | TPE (grpk, wh, rdbl, gn, whgn, ye, brgn, gr, whye, pk, yebr, rd, whgr, bk, grbr, vi, br, bl, gnye) |
| C-track properties | 5 Mio. |
| Jacket Color | gray |
| Material (jacket) | PUR (UL/CSA) |
| Outer Ø | 11.5 mm ±5% |
| Bend radius (moving) | 10× outer Ø |
| Temperature range (fixed) | -40...+80 °C |
| Temperature range (mobile) | -5...+80 °C |
| Cable identification | 452 |
| Approval (cable) | UL (AWM-Style 20233), CSA |
| Cable weight [g/m] | 231,0 |
| Material (wire) | Cu wire, bare |
| Resistor (core) | max. 39 Ω/km (0.5 mm ²); max. 20 Ω/km (1.0 mm ²); (20 °C) |
| Single wire Ø (core) | 0.1 mm |
| Construction (core) | 64× 0.1 mm (0.5 mm ²), 128× 0.1 mm (1.0 mm ²); (multi-strand wire class 6) |
| Diameter (core) | 16× 0.5 + 3× 1.0 mm ² |
| AWG | similar to AWG 20 (0.5 mm ²); similar to AWG 17 (1.0 mm ²) |
| Material (wire isolation) | TPE-E |
| Shore hardness (wire isolation) | 55 ±3 D |
| Wire-Ø incl. isolation | 1.6 mm ±5% (0.5 mm ²); 2.1 mm ±5% (1.0 mm ²) |
| Material (jacket) | PUR |
| Outer-Ø (jacket) | 11.6 mm ±5% |
| Color (jacket) | gray |
| chemical resistance | good resistance to oil, gasoline and chemicals |
| Nominal voltage | 300/300 V AC |
| Test voltage | 2000 V AC |
| Bend radius (moving) | 10× outer Ø |
| No. of bending cycles (C-track) | max. 5 Mio. |
| Travel speed (C-track) | max. 2 m/s |

Technical Data

| | |
|-------------------------------|---------------------------------------|
| Operating voltage | 24 V DC |
| Operating current per contact | max. 4 A |
| Total current | max. 7.5 A |
| Locking of ports | Screw thread (M12×1 mm) |
| Protection | IP65, IP67, IP68 |
| Housing | Zinc die casting, matte nickel plated |

Commercial data

| | |
|-------------------|----|
| country of origin | CZ |
|-------------------|----|

| | |
|-----------------------|---------------|
| customs tariff number | 85444290 |
| EAN | 4048879351911 |
| eClass | 27279219 |
| Packaging unit | 1 |