

T-coupler SlimLine M12 male/ 2x M12 female Lite

T-coupler

Male straight – females straight

M12, 5-pole – M12, 4-pole
shielded

Plastic housings with good resistance against chemicals and oils.

The resistance to aggressive media should be individually tested for your application. Further details on request.

[Link to Product](#)

Illustration



Product may differ from Image

Approvals



Form

Form 41133

General data

Pollution Degree 3
Temperature range -25...+85 °C

Technical Data

Operating voltage	max. 60 V AC/DC
Operating voltage (only UL listed)	max. 30 V AC/DC
Operating current per contact	max. 4 A
Material group	IEC 60664-1, category I
Coding	A-coded
Locking of ports	Screw thread (M12×1 mm) recommended torque 0.6 Nm, self-securing
Compression gland	M12 (SW13)
Protection	IP67 inserted and tightened (EN 60529)
Material	PUR
Rated surge voltage	1.5 kV

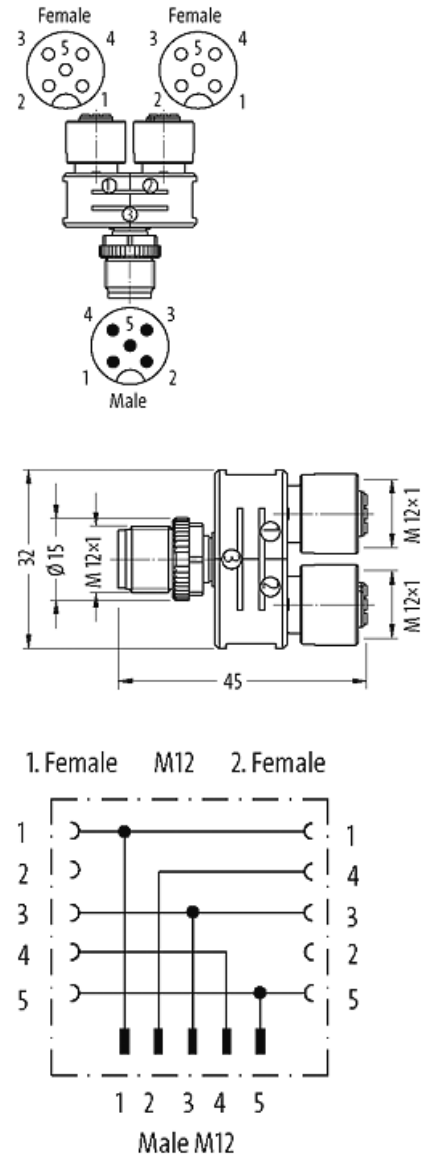
Commercial data

country of origin	DE
customs tariff number	85366990
EAN	4048879559225
eClass	27279218

Packaging unit

1

Sketch



Product may differ from Image