

M8 ADAPTOR ON TOP OF MSUD VALVE PLUG FORM B 10 MM

Form B (10 mm) – M8, connector top entry

24 V AC/DC $\pm 25\%$

LED (yellow)

3-pole

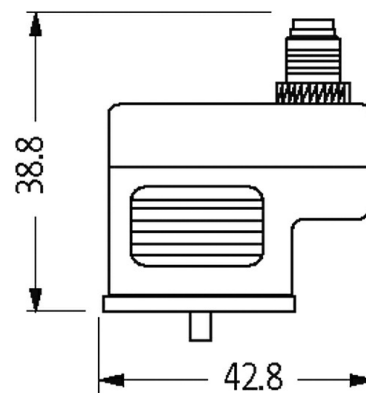
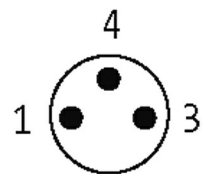
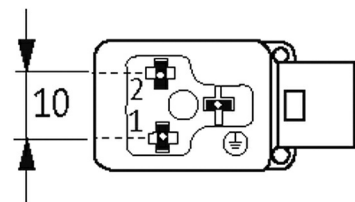
Plastic housings with good resistance against chemicals and oils.

The resistance to aggressive media should be individually tested for your application. Further details on request.

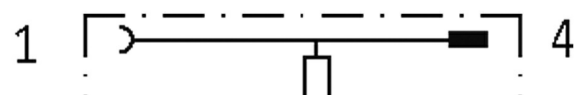
[Link to Product](#)**Illustration**

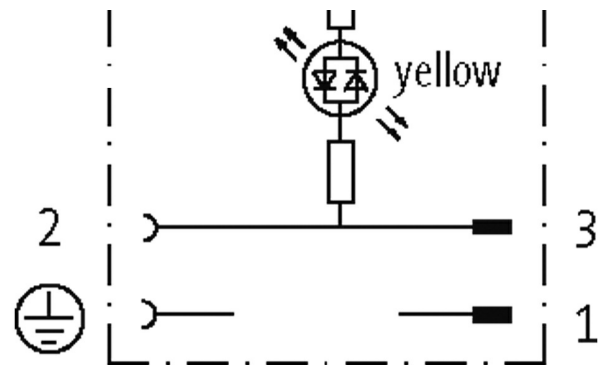
Female

Male



Depth: 21.5 mm





Product may differ from Image

Approvals



Form

Form 88923

General data

Temperature range -25...+85 °C

Technical Data

Operating voltage	24 V AC/DC ±25%
Operating current per contact	max. 4 A
Configuration	2 contacts + PE
Locking of ports	M3/M8 (recommended torque 0.4 Nm)
Protection	IP67 inserted and tightened (EN 60529)
Rated surge voltage	0.8 kV

Commercial data

country of origin	CZ
customs tariff number	85366990
EAN	4048879115957
eClass	27143423
Packaging unit	1