

**7/8" FEMALE 0° FIELD-WIREABLE SCREW**

3-pol. clamp section 6-8 mm

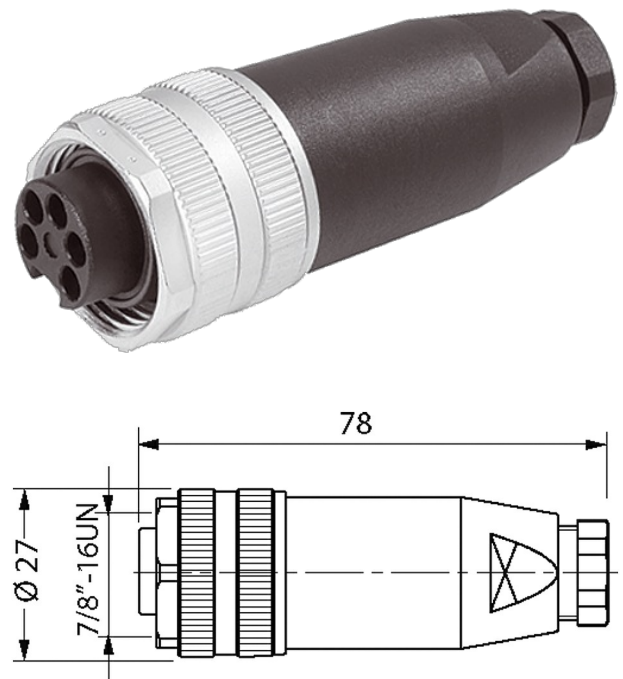
Female straight

7/8" (3-pole)

Screw terminals

Plastic housings with good resistance against chemicals and oils.

The resistance to aggressive media should be individually tested for your application. Further details on request.

[Link to Product](#)**Illustration**

Product may differ from Image

**Approvals****Form**

Form 78191

**General data**

Temperature range -25...+85 °C

**Technical Data**

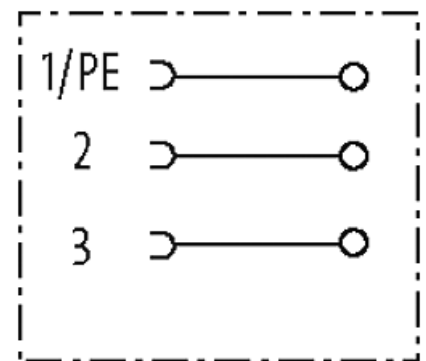
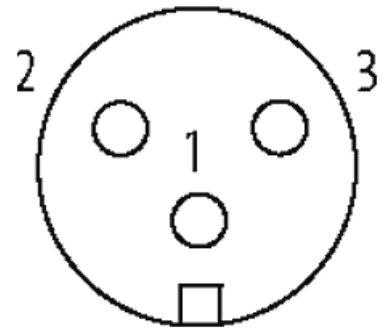
Operating voltage	max. 300 V AC/DC
Operating current per contact	max. 12 A
Connection cross section	max. 1.5 mm <sup>2</sup>
Sealing range (cable Ø)	6...8 mm
Protection	IP67 inserted and tightened (EN 60529)
Locking of ports	Screw thread 7/8" (recommended torque 1.5 Nm) self-securing

**Commercial data**

country of origin	DE
customs tariff number	85366990
EAN	4048879511827
eClass	27279218
Packaging unit	1

**Sketch**

Female



Product may differ from Image