

MSUD DOUBLE VALVE PLUG FORM B 10 MM

PVC 4X0.75 GRAY, 3m

Form B (10 mm)

24 V AC $\pm 20\%$ / DC $\pm 25\%$

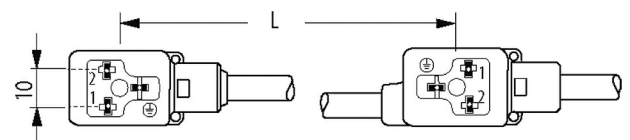
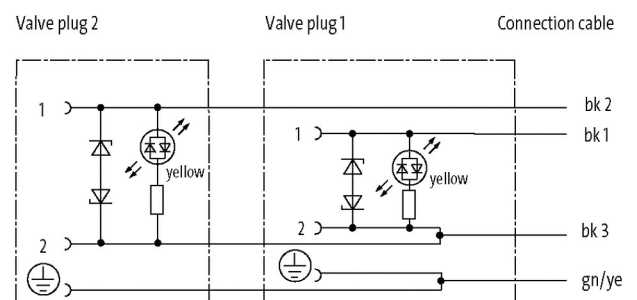
LED and suppression

Connection cable L = 100 mm

Further cable lengths on request.

Plastic housings with good resistance against chemicals and oils.

The resistance to aggressive media should be individually tested for your application. Further details on request.

[Link to Product](#)**Illustration**

Product may differ from Image

Approvals

cCSAus

* only for products with UL/CSA approved cable

Form

The information in this brochure has been compiled with the utmost care.

Liability for the correctness completeness and topicality of the information is restricted to gross negligence. Version: 11/20

| | |
|------------------------------------|--|
| Form | 58201 |
| General data | |
| Temperature range | -25...+85 °C, depending on cable quality |
| Cables | |
| No./diameter of wires | 4 × 0.75 mm ² |
| Wire isolation | PVC (bk num, gnye) |
| Material (jacket) | PVC |
| Outer Ø | 6.5 mm ±5% |
| Bend radius (moving) | 10 × outer Ø |
| Temperature range (fixed) | -30...+70 °C |
| Temperature range (mobile) | -5...+70 °C |
| Cable identification | 217 |
| Cable Type | 1 (PVC) |
| Approval (cable) | CE conform |
| Cable weight [g/m] | 75,90 |
| Material (wire) | Cu wire, bare |
| Resistor (core) | max. 26 Ω/km (20 °C) |
| Single wire Ø (core) | 0.2 mm |
| Construction (core) | 24 × 0.2 mm (multi-strand wire class 5) |
| Diameter (core) | 4 × 0.75 mm ² |
| AWG | similar to AWG 18 |
| Material (wire isolation) | PVC |
| Material property (wire isolation) | CFC-, cadmium-, silicone- and lead-free |
| Shore hardness (wire isolation) | 43 ±5 D |
| Wire-Ø incl. isolation | 1.8 mm ±5% |
| Color/numbering of wires | bk numbered, gnye longitudinally striped |
| Stranding combination | 4 wires twisted |
| Shield | no |
| Material (jacket) | PVC |
| Material property (jacket) | CFC-, cadmium-, silicone- and lead-free |
| Shore hardness (jacket) | 80 ±5 A |
| Outer-Ø (jacket) | 6.5 mm ±5% |
| Color (jacket) | gray |
| chemical resistance | good resistance to oil, gasoline and chemicals |
| Nominal voltage | 300/500 V AC |
| Test voltage | 3000 V AC |
| Current load capacity | to DIN VDE 0298-4 |
| Temperature range (fixed) | -30...+70 °C |
| Temperature range (mobile) | -5...+70 °C |
| Bend radius (fixed) | 5 × outer Ø |
| Bend radius (moving) | 10 × outer Ø |
| Jacket Color | gray |
| Technical Data | |
| Operating voltage | 24 V AC ±20% / DC ±25% |
| Rated surge voltage | 0.8 kV |
| Operating current per contact | max. 4 A |
| Switch off peak | max. 55 V |

| | |
|-----------------------|--|
| Switch off delay time | max. 20 ms |
| LED display | (yellow) |
| Current consumption | approx. 12 mA |
| Housing | Black plastic (gray on request) |
| Locking of ports | M3 (recommended torque 0.4 Nm) |
| Protection | IP67 inserted and tightened (EN 60529) |

Commercial data

| | |
|-----------------------|---------------|
| country of origin | CZ |
| customs tariff number | 85444290 |
| EAN | 4048879836883 |
| eClass | 27279218 |
| Packaging unit | 1 |