

**M12 MALE ON TOP OF MSUD VALVE PLUG FORM BI 11MM**

Form BI (11 mm) – M12, connector top entry

max. 125 V AC/DC

without components

3-pole

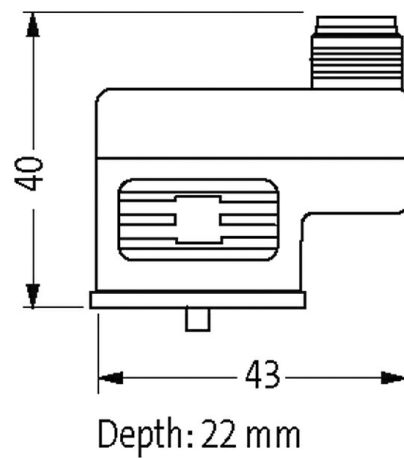
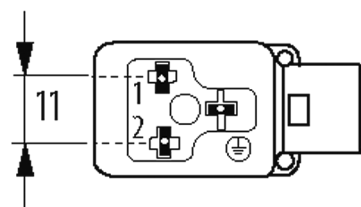
Plastic housings with good resistance against chemicals and oils.

The resistance to aggressive media should be individually tested for your application. Further details on request.

**Illustration**

Female

Male



Product may differ from Image

**Approvals**

**Form**

Form	41981
------	-------

**Technical Data**

Operating voltage	max. 125 V AC/DC
Operating current per contact	max. 4 A
Configuration	2 contacts + PE
Protection	IP67 inserted and tightened (EN 60529)
Locking of ports	M3/M12×1 mm (recommended torque 0.4/0.6 Nm)

**General data**

Temperature range	-25...+85 °C
-------------------	--------------

**Commercial data**

country of origin	CZ
customs tariff number	85366990
EAN	4048879143325
eClass	27143423
Packaging unit	1