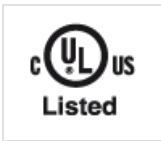


ADAPTOR M12MALE/M12FEMALE 5P.SHIELDED (BRIDGE 3-4)

Adapter
Male - female
M12 – M12, 5-pole
shielded
bridged

Illustration

Product may differ from Image

Approvals**Form**

Form	41251
------	-------

Technical Data

Operating voltage	max. 60 V AC/DC
Operating voltage (only UL listed)	max. 30 V AC/DC
Rated surge voltage	1.5 kV
Operating current per contact	max. 4 A
No. of poles	5
Material group	IEC 60664-1, category I
Coding	A-coded
Locking of ports	Screw thread (M12×1 mm) recommended torque 0.6 Nm, self-securing
Compression gland	M12 (SW13)
Protection	IP67 inserted and tightened (EN 60529)
Locking material	Zinc die casting, matte nickel plated
Material	PUR

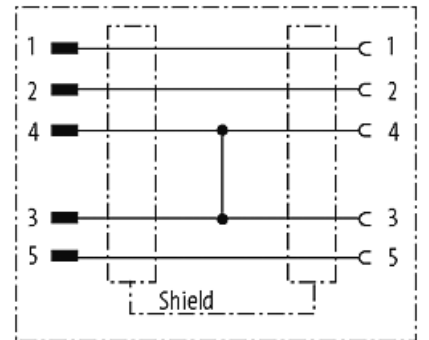
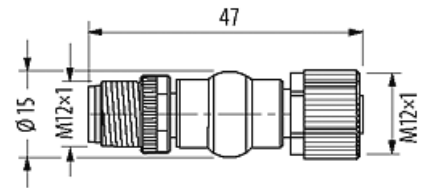
General data

Pollution Degree	3
Mounting method	inserted, tightened
Temperature range	-25...+85 °C
Test isolation voltage	0.8 kV eff/rms

Commercial data

country of origin	DE
customs tariff number	85366990

EAN	4048879144735
eClass	27143423
Packaging unit	1

Sketch

Product may differ from Image