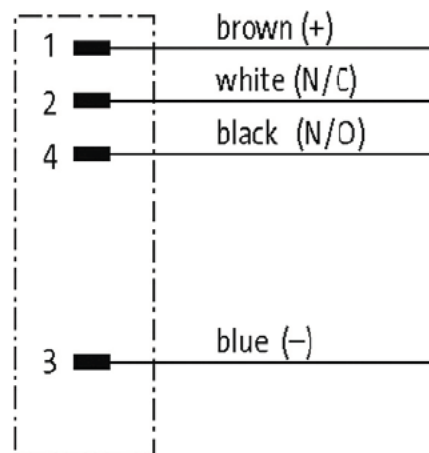
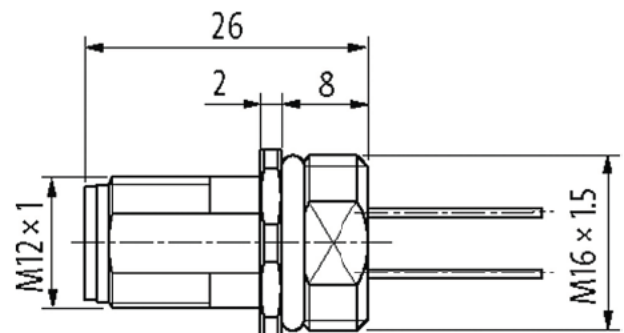
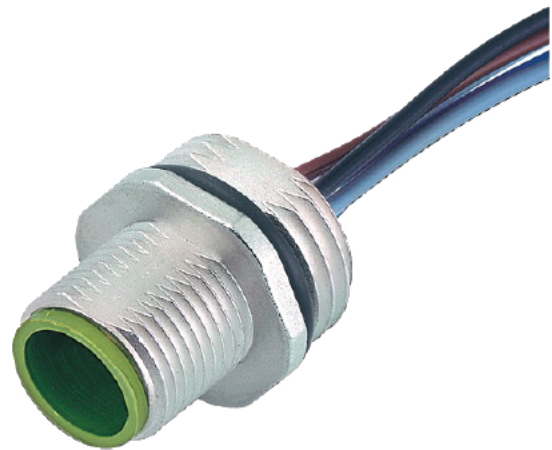


M12 male receptacle A-cod. front mount

w res PVC 4x0.34 1m

F ange ma e
 M12, 4-po e
 Front mount ng
 w th mu t -strand w re

[Link to Product](#)**Illustration**

Produced by Murr Elektronik

Approvals



Form

Form 350

General data

Pollution Degree 3

Temperature range 25 +85 °C

Cables

Cable number 90

No /diameter of wires 4× 0.34 mm²

Wire isolation PVC (br wh bl bk)

Outer Ø 3 mm 5%

Bend radius (fixed) 5× outer Ø

Temperature range (fixed) 40 + 05 °C

Temperature range (mobile) 5 + 05 °C

Technical Data

Operating voltage max 250 V AC/DC

Rated surge voltage 2.5 kV

Operating current per contact max 4 A

Material group EC 60664 category

Locking of ports Screw thread (M 2× mm) recommended torque 0.6 Nm self securing

Compression gland M 2 (SW 4)

Protection P67 inserted and tightened (EN 60529)

Protection NEMA 3 4 6P (UL 50E)

Locking material Zinc die casting matte nickel plated

Commercial data

country of origin DE

customs tariff number 85444290

EAN 40488792946 4

eClass 27279220

Packaging unit

Sketch

Male



Product may differ from image