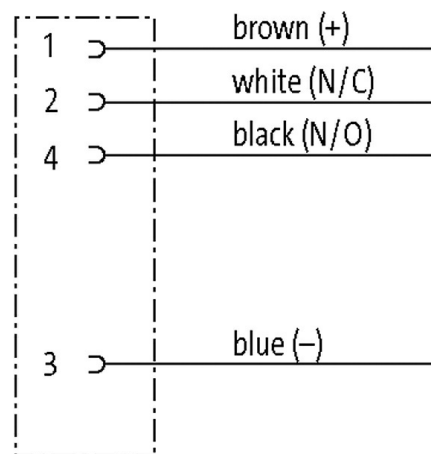
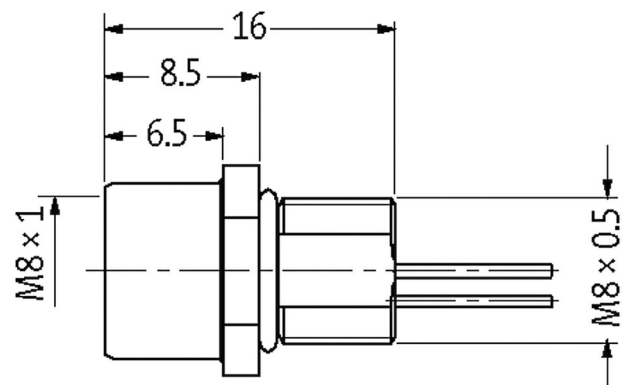
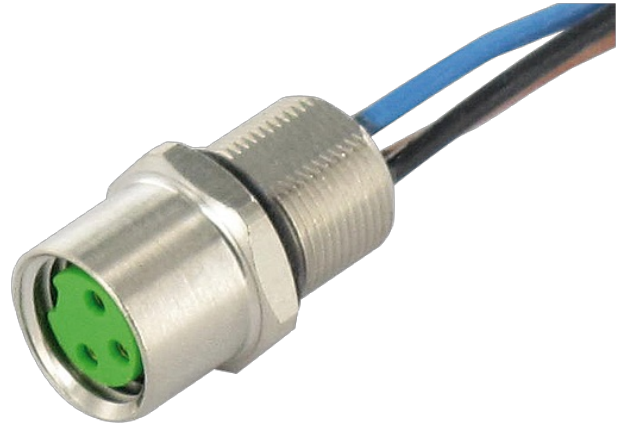


**M8 female receptacle front mount incl. nut**

wires PP 4x0,25 0,2m

Flange female  
M8, 4-pole  
Front mounting  
with multi-strand wire

**Illustration**

Product may differ from Image

**Approvals**

**Form**

Form 08583

**General data**

Pollution Degree 3

Temperature range -25...+85 °C

**Cables**

Cable number 969

No./diameter of wires 4 × 0.25 mm<sup>2</sup>

Wire isolation PP (br, bk, bl, wh)

Outer Ø 1.1 mm ±5%

Temperature range (fixed) -40...+90 °C

Temperature range (mobile) -25...+90 °C

Bend radius (fixed) 5 × outer Ø

**Technical Data**

Operating voltage max. 50 V AC/60 V DC

Rated surge voltage 1.5 kV

Operating current per contact max. 4 A

No. of poles 4

Material group IEC 60664-1, category I

LED display no

Locking of ports Screw thread (M8×1 mm) recommended torque 0.4 Nm, self-securing

Compression gland M8 (SW10)

Protection IP67 inserted and tightened (EN 60529)

Protection NEMA 3, 4, 6P (UL 50E)

**Commercial data**

country of origin DE

customs tariff number 85444290

EAN 4048879508247

eClass 27279220

Packaging unit 1

**Sketch**

Female



Product may differ from Image