

MODLINK MSDD FRAME SINGLE GREY

with customized printing

Customized printing

Frame: plastic PA black

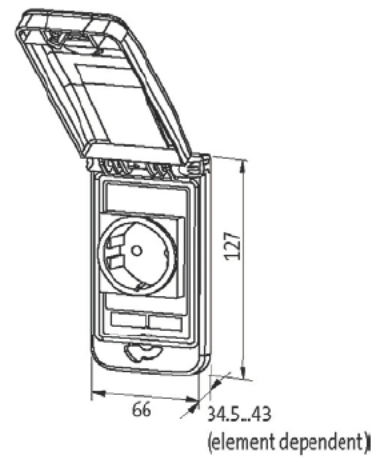
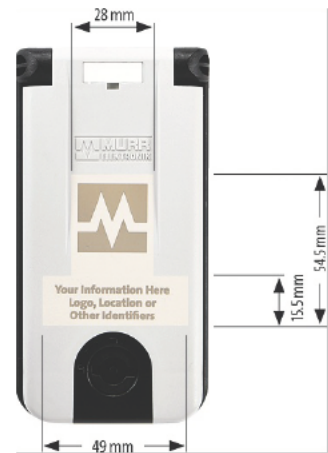
Lid: plastic, PBT gray

Course: 3 mm double bit

with attachable rotation knob

[Link to Product](#)

Illustration



Product may differ from image

Approvals



Frame

suitable for mounting with wall thickness 5 mm

Protection	P65
Housing	Frame: plastic PA black cap: plastic PBT gray
Temperature range	30 +70 °C (storage temperature 30 +80 °C)

General data

Dimensions H×W×D 27×66×43 mm

Commercial data

country of origin	DE
customs tariff number	85389099
EAN	404887968944
eClass	27 892 7

Packaging unit