

MODLINK MSDD FRAME SINGLE METALIC

with customized printing

Customized printing

Frame: plastic PA black

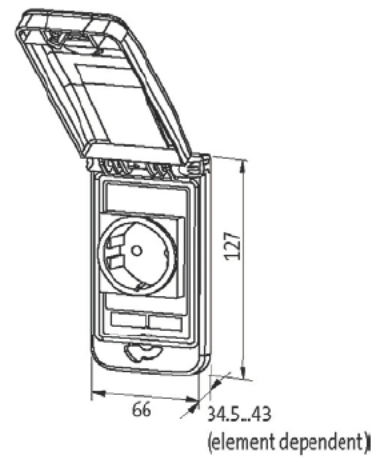
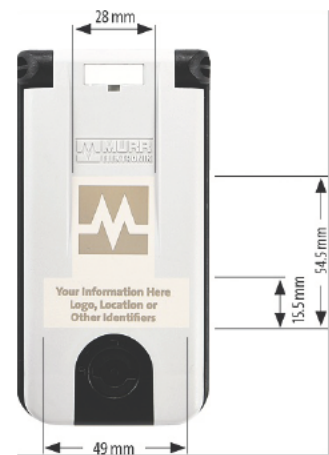
Lid: plastic, ABS gray

Closure: 3 mm double bolt

with attachable rotation knob

[Link to Product](#)

Illustration



Product may differ from image

Approvals



Frame

suitable for mounting with wall thickness 5 mm

Protection P65

Housing Frame: plastic PA black cap: plastic ABS metallic

Temperature range 30 +70 °C (storage temperature 30 +80 °C)

General data

Dimensions H×W×D 27×66×43 mm

Commercial data

country of origin DE

customs tariff number 85389099

EAN 4048879689434

eClass 27 892 7

Packaging unit