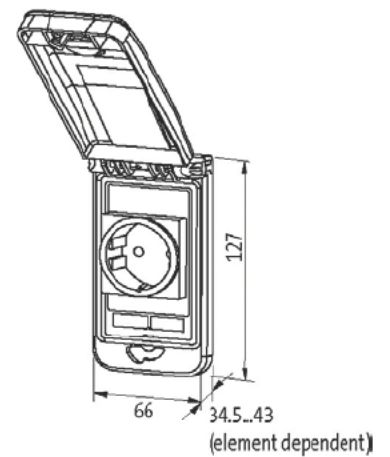


MODLINK MSDD FRAME SINGLE TRANSPARENT

with customized printing

Customized printing
 Frame: plastic PA black
 Lid: plastic, PC transparent
 Closure: 3 mm double bolt
 with attachable rotation knob

[Link to Product](#)**Illustration**

Product may differ from image

Approvals**Frame**

suitable for mounting with wall thickness 5 mm

Protection P65

Housing Frame: plastic PA black cap: plastic PC transparent

Temperature range 30 +70 °C (storage temperature 30 +80 °C)

General data

Dimensions H×W×D 27×66×43 mm

Commercial data

country of origin DE

customs tariff number 85389099

EAN 4048879689427

eClass 27 892 7

Packaging unit