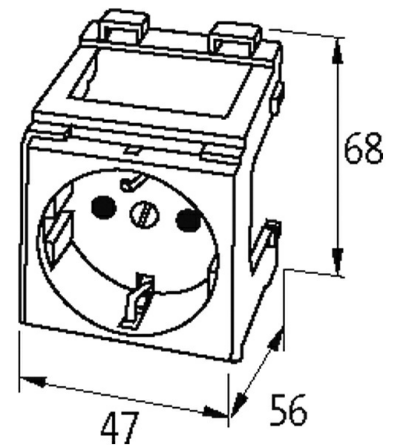


MODLINK MSVD CABINET POWER OUTLETS

VDE Italy/CEI 23-16 250V AC / 16 A

Italy (white)
Screw terminals**Illustration**

Product may differ from Image

Approvals

VDE (CEI 23-16)

General data

Mounting method	DIN-rail mountable (EN 60715)
Connection	Screw terminals: max. 2 × 2.5 mm ² (AWG 14)
Dimensions H×W×D	68×47×56 mm

Technical Data

Operating voltage	250 V AC
Operating current	16 A

Commercial data

country of origin	FR
-------------------	----

customs tariff number	85366990
EAN	4048879031233
eClass	27143423
Packaging unit	1