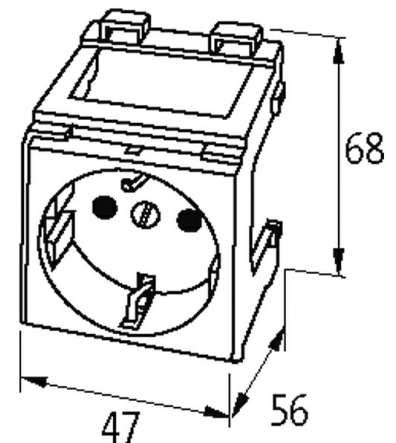


MODLINK MSVD CABINET POWER OUTLETS

VDE 250V AC / 16 A, spring clamp terminals

Germany (VDE) white
Spring clamp terminals**Illustration**

Product may differ from Image

Approvals

VDE

General data

Dimensions H×W×D 68×47×56 mm

Germany (VDE)

Operating voltage 250 V AC

Operating current 16 A

No. of poles 2 + PE

Connection Spring clamp terminals: max. 2× 2.5 mm² (AWG 14)

Mounting method DIN-rail mountable (EN 60715)

Commercial data

country of origin DE

customs tariff number	85366990
EAN	4048879031257
eClass	27143423
Packaging unit	1