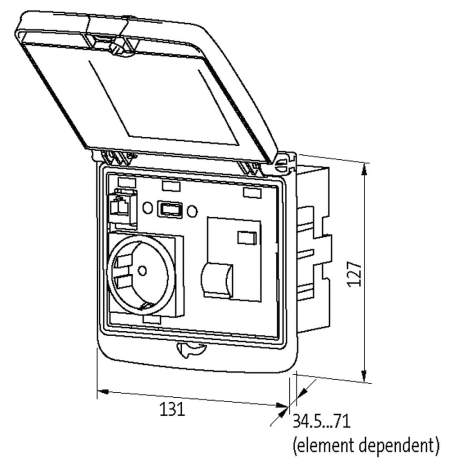


MODLINK MSDD FRAME DBL GRAY

Closure 3 mm double bit incl. pluggable knob

Frame: plastic PA black
 Lid: plastic, PBT gray
 Closure: 3 mm double bit
 with attachable rotation knob

Illustration

Product may differ from Image

Approvals**Frame**

suitable for mounting with wall thickness	1...5 mm
Protection	IP65
Housing	Frame: plastic PA black, cap: plastic PBT gray
Temperature range	-30...+70 °C (storage temperature -30...+80 °C)

General data

Dimensions H×W×D 127×131×43 mm

Commercial data

country of origin DE

customs tariff number 85389099

EAN 4048879368889

eClass 27144001

Packaging unit 1