

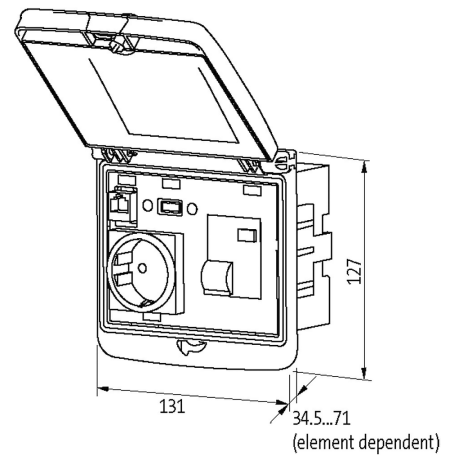
MODLINK MSDD FRAME DBL METALIC

Closure Daimler

Frame: plastic PA black

Lid: plastic, ABS gray

Closure: Daimler

Illustration

Product may differ from Image

Frame

suitable for mounting with wall thickness	1...5 mm
Protection	IP65
Housing	Frame: plastic PA black, cap: plastic ABS metallic
Temperature range	-30...+70 °C (storage temperature -30...+80 °C)

General data

Dimensions H×W×D	127×131×43 mm
------------------	---------------

Commercial data

country of origin	DE
customs tariff number	85389099
EAN	4048879388740
eClass	27144001

Packaging unit

1