

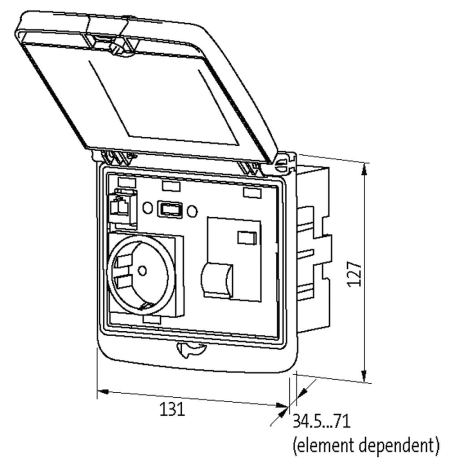
MODLINK MSDD FRAME DBL METALIC

Closure 3 mm double bit incl. pluggable knob

Frame: plastic PA black

Lid: plastic, ABS gray

Closure: 3 mm double bit
with attachable rotation knob

Illustration

Product may differ from Image

Approvals**Frame**

| | |
|---|--|
| suitable for mounting with wall thickness | 1...5 mm |
| Protection | IP65 |
| Housing | Frame: plastic PA black, cap: plastic ABS metallic |
| Temperature range | -30...+70 °C (storage temperature -30...+80 °C) |

General data

Dimensions H×W×D 127×131×43 mm

Commercial data

country of origin DE

customs tariff number 85389099

EAN 4048879368865

eClass 27189217

Packaging unit 1