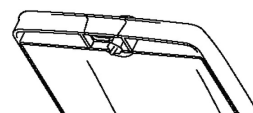
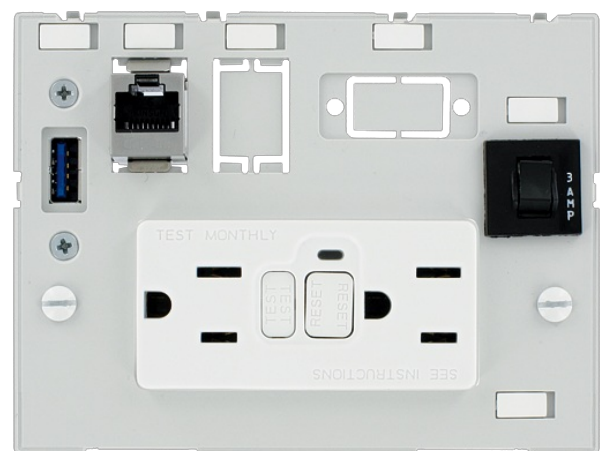


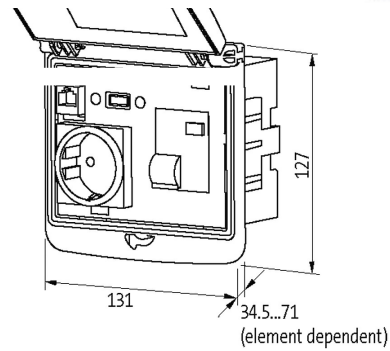
**Modlink MSDD set contains:Frame 4000-68522-0000001**

Insert 4000-68000-4100000

with touch protection

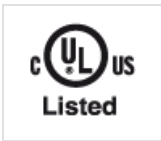
**Illustration**





Product may differ from Image

### Approvals



### Frame

suitable for mounting with wall thickness	1...5 mm
Protection	IP65
Housing	Frame: plastic PA black, cap: plastic PC transparent
Temperature range	-30...+70 °C (storage temperature -30...+80 °C)

### RJ45

Operating voltage (UL Rating)	max. 30 V AC/42.4 V DC
Operating current (UL Rating)	max. 175 mA
Connection front side	RJ45
Connection rear side	RJ45
Locking of ports	Snap In
Specification	CAT5e, Class D, 100 MHz, (EN 50173-1)

### Fuse

Operating voltage	250 V AC/32 V DC
Continuous load	3 A

### USB

Operating voltage	48 V AC/DC
Operating voltage (UL Rating)	max. 30 V AC/42.4 V DC
Operating current	1.5 A
Locking of ports	Snap In
Specification	USB: 3.0 (max. 5 Gbit/s)

### USA

Operating voltage	125 V AC
Operating current	15 A
No. of poles	2 + PE
Connection	Screw terminals: max. 2x 6 mm <sup>2</sup> (AWG 10)

### Commercial data

country of origin	CN
customs tariff number	85366990
EAN	4048879673525
eClass	27189234
Packaging unit	1