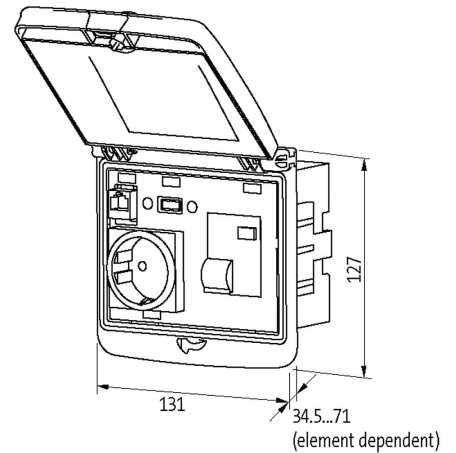


**MODLINK MSDD FRAME DBL TRANSPARENT**

Closure Daimler

Frame: plastic PA black  
 Lid: plastic, PC transparent  
 Closure: Daimler

**Illustration**

Product may differ from Image

**Frame**

suitable for mounting with wall thickness	1...5 mm
Protection	IP65
Housing	Frame: plastic PA black, cap: plastic PC transparent
Temperature range	-30...+70 °C (storage temperature -30...+80 °C)

**General data**

Dimensions H×W×D	127×66×43 mm
------------------	--------------

**Commercial data**

country of origin	DE
customs tariff number	85389099
EAN	4048879388733
eClass	27189217

Packaging unit

1