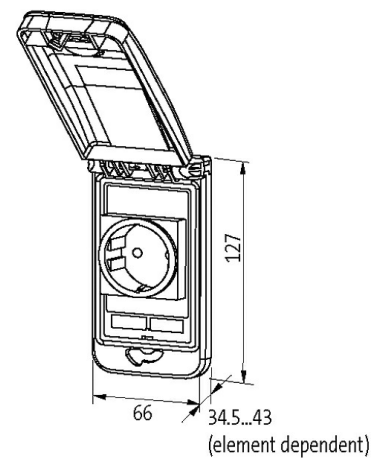


**MODLINK MSDD FRAME SINGLE METALIC**

Closure 3 mm double bit incl. pluggable knob

Frame: plastic PA black  
 Lid: plastic, ABS gray  
 Closure: 3 mm double bit  
 with attachable rotation knob

**Illustration**

Product may differ from Image

**Approvals****Frame**

suitable for mounting with wall thickness	1...5 mm
Protection	IP65
Housing	Frame: plastic PA black, cap: plastic ABS metallic
Temperature range	-30...+70 °C (storage temperature -30...+80 °C)

**General data**

Dimensions H×W×D 127×66×43 mm

**Commercial data**

country of origin	DE
customs tariff number	85389099
EAN	4048879368834
eClass	27189217
Packaging unit	1