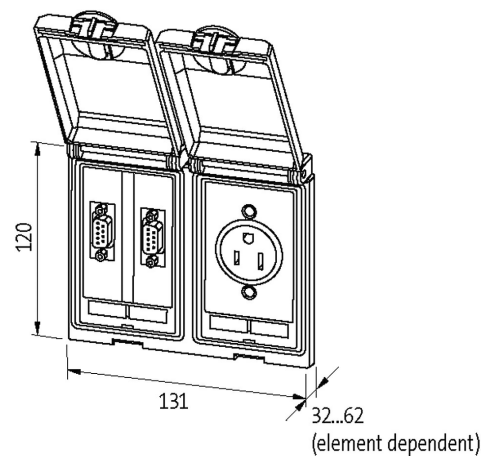


Modlink MSDD-set: Frame 4000-68123-0000000,
insert 4000-68000-0900000 + 4000-68000-0040000

Illustration



Product may differ from Image

Frame

suitable for mounting with wall thickness 1...5 mm

Protection IP65

Housing Zinc die-casting, with surface finishing

Temperature range -10...+60 °C (storage temperature -25...+60 °C)

USB

Operating voltage	48 V AC/DC
Operating voltage (UL Rating)	42.4 V DC
Operating current	max. 500 mA
Locking of ports	Snap In
Specification	USB: 2.0 (max. 480 Mbit/s)

USA

Operating voltage	125 V AC
Operating current	15 A
No. of poles	2 + PE
Connection	Screw terminals: max. 2× 2.5 mm ² (AWG 14)

Commercial data

country of origin	CZ
customs tariff number	85389099
EAN	4048879034142
eClass	27189217
Packaging unit	1