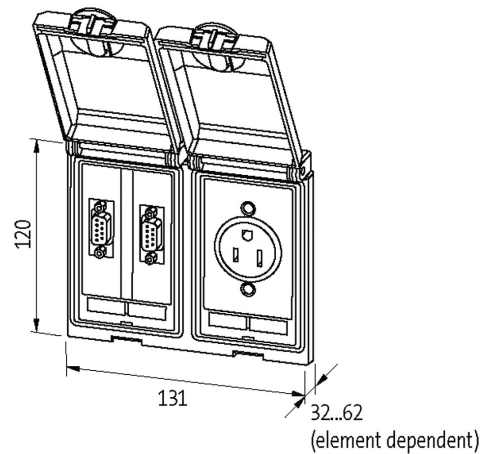


**Modlink MSDD-set: Frame 4000-68123-0000000,**  
insert 4000-68000-0020000 + 4000-68000-1120000

**Illustration**



Product may differ from Image

#### Frame

suitable for mounting with wall thickness	1...5 mm
Protection	IP65
Housing	Zinc die-casting, with surface finishing
Temperature range	-10...+60 °C (storage temperature -25...+60 °C)

#### SUB-D9

Operating voltage	48 V AC/DC
Operating voltage (UL Rating)	max. 30 V AC/42.4 V DC
Operating current	3 A
Operating current (UL Rating)	max. 175 mA
No. of poles	9-pole
Connection front side	SUB-D (female)
Connection rear side	SUB-D (female)
Locking of ports	UNC 4...40 bolt

#### RJ45

Operating voltage (UL Rating)	max. 30 V AC/42.4 V DC
Operating current (UL Rating)	max. 175 mA
Connection front side	RJ45
Connection rear side	RJ45
Locking of ports	Snap In
Specification	CAT5e, Class D, 100 MHz, (EN 50173-1)

#### RJ12

Operating voltage	max. 48 V AC/DC
Operating voltage (UL Rating)	max. 30 V AC/42.4 V DC
Operating current	max. 1 A
Operating current (UL Rating)	max. 175 mA
Connection front side	RJ12

Connection rear side	RJ12
Locking of ports	Snap In
<b>Shielding plate</b>	
Connection	Threaded hole M4
Tightening torque	0.9 Nm $\pm$ 0.1
<b>Germany (VDE)</b>	
Operating voltage	250 V AC
Operating current	16 A
No. of poles	2 + PE
Connection	Screw terminals: max. 2x 6 mm <sup>2</sup> (AWG 10)
<b>Commercial data</b>	
country of origin	CZ
customs tariff number	85366990
EAN	4048879034883
eClass	27189217
Packaging unit	1