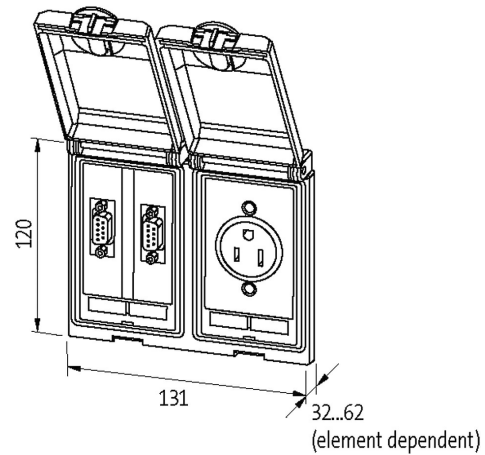


Modlink MSDD-set: Frame 4000-68122-0000000,
insert 4000-68000-0010000 + 4000-68000-1120000

Illustration





Product may differ from Image

Frame

suitable for mounting with wall thickness	1...5 mm
Protection	IP65
Housing	Zinc die-casting, KTL coated
Temperature range	-10...+60 °C (storage temperature -25...+60 °C)

SUB-D9

Operating voltage	48 V AC/DC
Operating voltage (UL Rating)	max. 30 V AC/42.4 V DC
Operating current	3 A
Operating current (UL Rating)	max. 175 mA
No. of poles	9-pole
Connection front side	SUB-D (female)
Connection rear side	SUB-D (female)
Locking of ports	UNC 4...40 bolt

RJ45

Operating voltage (UL Rating)	max. 30 V AC/42.4 V DC
Operating current (UL Rating)	max. 175 mA
Connection front side	RJ45
Connection rear side	RJ45
Locking of ports	Snap In
Specification	CAT5e, Class D, 100 MHz, (EN 50173-1)

RJ12

Operating voltage	max. 48 V AC/DC
Operating voltage (UL Rating)	max. 30 V AC/42.4 V DC
Operating current	max. 1 A
Operating current (UL Rating)	max. 175 mA
Connection front side	RJ12

Connection rear side	RJ12
Locking of ports	Snap In
Shielding plate	
Connection	Threaded hole M4
Tightening torque	0.9 Nm \pm 0.1
Germany (VDE)	
Operating voltage	250 V AC
Operating current	16 A
No. of poles	2 + PE
Connection	Screw terminals: max. 2x 6 mm ² (AWG 10)
LED display	yellow
Commercial data	
country of origin	CZ
customs tariff number	85366990
EAN	4048879035897
eClass	27189217
Packaging unit	1