

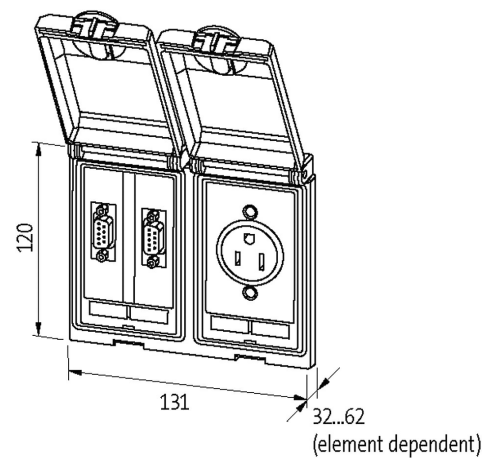
**MODLINK MSDD DBL FRAME METAL**

Black

Frame: metal, black KTL

Lid: metal, black KTL

KTL stands for "cataphoretic immersion painting" and ensures that the product is given long-lasting protection from scratching and corrosion

**Illustration**

Product may differ from Image

**Approvals****Frame**

suitable for mounting with wall thickness	1...5 mm
Protection	IP65
Housing	Zinc die-casting, KTL coated
Temperature range	-10...+60 °C (storage temperature -25...+60 °C)

**General data**

Dimensions H×W×D 120×130×35 mm

**Commercial data**

country of origin	DE
customs tariff number	85389099
EAN	4048879035965
eClass	27189217
Packaging unit	1