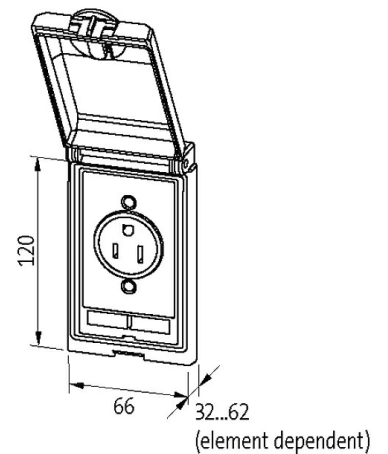
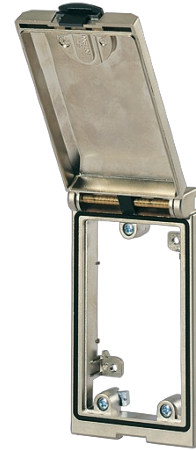


MODLINK MSDD FRAME SINGLE METAL

Nicked

Frame: metal, matte nickel plated

Lid: metal, matte nickel plated

Illustration

Product may differ from Image

Approvals**Frame**

suitable for mounting with wall thickness	1...5 mm
Protection	IP65
Housing	Zinc die-casting, with surface finishing
Temperature range	-10...+60 °C (storage temperature -25...+60 °C)

General data

Dimensions H×W×D	120×65×38 mm
Shielded	yes

Commercial data

country of origin	DE
customs tariff number	85389099
EAN	4048879036375
eClass	27189217
Packaging unit	1