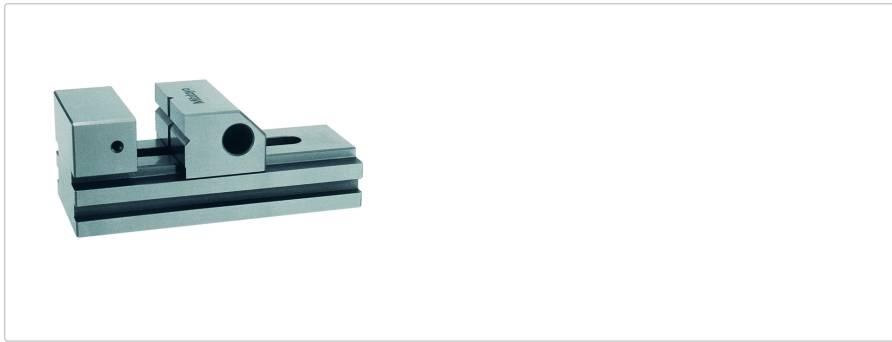


## Precision Vice

Item number: 930-607

### Images



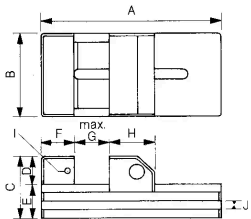
### Description

Made of alloyed tool steel, hardened and precision ground  
With horizontally ground prism in the movable jaws

### Features

<b>Parallelism:</b>	0,002 / 100
<b>Squareness:</b>	0.005 / 100
<b>Delivered:</b>	In a carton box
<b>Mass:</b>	5.8 kg

### Dimensions



**A:** 210 mm  
**B:** 90 mm  
**C:** 80 mm  
**D:** 40 mm  
**E:** 40 mm  
**F:** 40 mm  
**G:** 120 mm  
**H:** 50 mm  
**I:** M6 mm  
**J:** 10 x 7 mm  
**H x D:**