

## Cast Iron Surface Plate, DIN

### 876

Item number: 902-105

#### Images



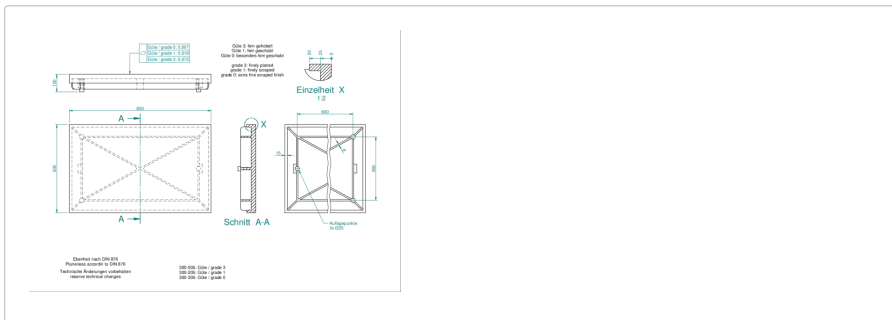
#### Description

- A ribbed design gives you rigidity with minimum weight, and a special cast iron confers a high degree of wear resistance.

#### Features

<b>Dimensions L x W x H:</b>	800 x 500 x 140 mm
<b>Accuracy:</b>	According to DIN 876; Grade 3 : fine planed
<b>Mass:</b>	95 kg

#### Dimensions



#### Accessories

##### Optional accessories:



#### Stand (Angle Steel)

for Cast Iron Plate 800x500x140mm

Art No. 902-930

**Price on application**