

Digital ABS Tyre Tread Depth Gauge IP67

Item number: 571-100-20

Images



ABSOLUTE[®]

IP67

Description

This is designed to measure tyre tread depth and offers you the following benefits:

- The ABSOLUTE feature of this gauge keeps track of the origin point (once set) for the entire life of the battery.

Features

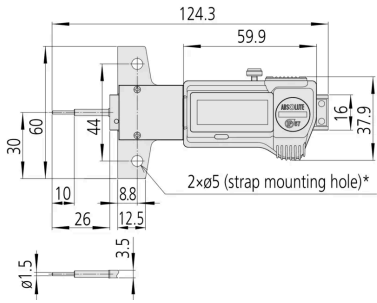
Inch-Metric:	Metric
Digital/Analog:	Digital
Power supply:	1 battery SR-44
Digital step:	0,01 mm
Max. Permissible Error E MPE:	±0,02 mm
ORIGIN (ABS-Zero):	Yes
Auto Power OFF after 20 min. non use:	Yes
Low voltage alarm:	Yes
Max. response speed:	Unlimited
Data output:	Yes
Battery life:	Approx. 5 years

Display: LCD, Character Height 9 mm

Mass: 160 g

Delivered: In a box with SR44 battery

Dimensions



Accessories

Optional accessories:



Digimatic Cable with Data Button IP Type

1 m, Caliper Type
Art No. 05CZA624
Suggested retail price: 100.00 €*
~~100.00 €~~



Digimatic Cable with Data Button IP Type

2 m, Caliper Type
Art No. 05CZA625
Suggested retail price: 107.00 €*
~~107.00 €~~

Promotion!



USB Input Tool Direct (Digimatic to USB)

2m Cable, Digimatic/Digimatic 2, with Data Button IP Caliper Type
Art No. 06AFM380A
Promo price: 111.00 €*
Suggested retail price: 141.00 €
~~141.00 €~~

Promotion!



U-WAVE fit, IP67 Type

Wireless Transmitter for Caliper
Art No. 264-620

Promo price: **129.00 €***

Suggested retail price: ~~185.00 €*~~

Promotion!



U-WAVE fit, Buzzer Type

Wireless Transmitter for Caliper
Art No. 264-621

Promo price: **129.00 €***

Suggested retail price: ~~185.00 €*~~

Promotion!



U-WAVE fit Bluetooth, IP67 Type

Wireless Transmitter for Caliper
Art No. 264-624

Promo price: **129.00 €***

Suggested retail price: ~~185.00 €*~~

Promotion!



U-WAVE fit Bluetooth, Buzzer Type

Wireless Transmitter for Caliper
Art No. 264-625

Promo price: **129.00 €***

Suggested retail price: ~~185.00 €*~~

Promotion!



Connection Unit for IP Caliper, Micrometer

with Data Button for U-WAVE fit, U-WAVE fit Bluetooth

Art No. 02AZF310

Promo price: **76.00 €***

Suggested retail price: ~~110.00 €*~~

Consumable spares:



Battery SR44 1,5 V

Art No. 938882

Suggested retail price: 7.00 €*
