

## Digital Indicator ID-C

Item number: 543-716B

### Images



			≤ 0.5 N
			≤ 0.4 N
			≤ 0.3 N
			≤ 0.2 N
			≤ 0.3 N

### Description

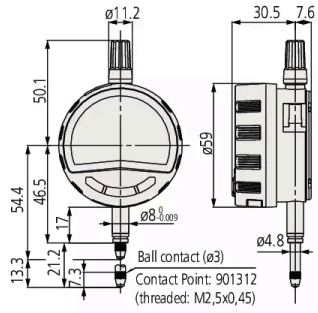
- This is a multifunction standard indicator that is reliable and easy to use.
- Bidirectional communication e.g. to perform parameter setting from a PC (Digimatic S 1 interface) is possible.
  - The ABSOLUTE sensor means you don't have to carry out origin setting every time you power it on, saving you time and hassle.
  - Excellent visibility with a large digital/analog display.
  - Model with 0,5 µm digital step is available.
  - Measurements such as simple calculation and peak detection are possible.
  - Equipped with a calibration schedule warning function.
  - GO/±NG judgement is performed by setting the upper and lower tolerances.
  - Display 330° rotatable.
  - A function lock protects the display against unauthorised use.

### Features

**Model:** ID-C1012CMNXB

<b>Digital/Analog:</b>	Digital
<b>Inch-Metric:</b>	Inch/Metric
<b>Delivered:</b>	Including CR2032 battery, battery lid opener, weight, certificate of inspection
<b>Range:</b>	0.5"/12.7 mm
<b>Digital step:</b>	0.0005"/0.01 mm
<b>Max. Permissible Error E MPE (Total Range):</b>	±0.001"/0.02 mm
<b>H MPE (Hysteresis):</b>	0.001"/0.02 mm
<b>R MPE (Repeatability):</b>	0.0005"/0.01 mm
<b>Measuring force MPL:</b>	≤0.2 - 0.5 N
<b>Protection:</b>	IP42
<b>Type:</b>	EN ISO Standard
<b>Mass:</b>	155 g
<b>Display:</b>	LCD, character height 11 mm, 330° rotatable
<b>Max. response speed:</b>	Unlimited
<b>Measurement frequency (MAX/MIN/RANGE):</b>	50 times/s
<b>Alarm:</b>	Low voltage, setting errors, sensor error, display overflow a.s.o.
<b>Stem ø:</b>	8 mm
<b>Contact point:</b>	Carbide ball, thread: M2.5x0.45
<b>Power supply:</b>	1 battery CR2032
<b>Battery life:</b>	Approx. 2700 hours (continuous use)
<b>Digital Scale:</b>	Electrostatic capacitance type absolute linear encoder
<b>ON/OFF:</b>	Yes
<b>ABS / INC (INC ZERO):</b>	Yes
<b>Function lock:</b>	Yes
<b>GO/±NG judgement:</b>	Yes
<b>DATA/HOLD:</b>	Yes
<b>Auto Power OFF setting:</b>	Yes
<b>Counting direction switchable:</b>	Yes
<b>Customizing keys:</b>	Yes
<b>Calibration warning function:</b>	Yes
<b>Low voltage alarm:</b>	Yes
<b>Digital step switchable:</b>	No
<b>Digimatic data output:</b>	Yes
<b>Digimatic S1 Bidirectional interface:</b>	Yes
<b>Analog bar resolution switchable:</b>	Yes
<b>Inch/Metric switchable:</b>	Yes

## Dimensions



## Accessories

### Optional accessories:

Promotion!

Mitutoyo

MiCAT

the standard in world  
metrology software  
MeasurLink®

### USB-ITPAK Vers. 3.0

USB Dongle + Manual (Software available Online)

Art No. 06AGR543

Promo price: **259.00 €\***

Suggested retail price: ~~340.00 €\*~~

USB-ITPAK



### Digimatic Cable, Straight, 1m

Digimatic/Digimatic 2/Digimatic S1 Interface

Art No. 06AGL011

Suggested retail price: 79.00 €\*



### Digimatic Cable, Straight, 2m

Digimatic/Digimatic 2/Digimatic S1 Interface

Art No. 06AGL021

Suggested retail price: 84.00 €\*

Promotion!



### USB Input Tool Direct (Digimatic to USB)

2m Cable, Digimatic/Digimatic 2/Digimatic S1 Interface  
Art No. 06AGQ001F

Promo price: **129.00 €\***

Suggested retail price: ~~164.00 €\*~~

Promotion!



### USB Input Tool Interface Box

Digimatic/Digimatic 2/Digimatic S1 Interface  
Art No. 264-020

Promo price: **209.00 €\***

Suggested retail price: ~~259.00 €\*~~

Promotion!



### U-WAVE fit, Buzzer Type

Wireless Transmitter for  
Micrometer/Indicator  
Art No. 264-623

Promo price: **129.00 €\***

Suggested retail price: ~~185.00 €\*~~

Promotion!



### U-WAVE fit, IP67 Type

Wireless Transmitter for  
Micrometer/Indicator  
Art No. 264-622

Promo price: **129.00 €\***

Suggested retail price: ~~185.00 €\*~~

Promotion!



### U-WAVE fit Bluetooth, Buzzer Type

Wireless Transmitter for  
Micrometer/Indicator  
Art No. 264-627

Promo price: **139.00 €\***

Suggested retail price: ~~185.00 €\*~~

Promotion!



### U-WAVE fit Bluetooth, IP67 Type

Wireless Transmitter for Micrometer/Indicator  
Art No. 264-626

Promo price: **139.00 €\***  
Suggested retail price: ~~185.00 €\*~~

Promotion!



### Connection Unit for ID-C Indicator

12,7mm/0,5" Type, U-WAVE fit, U-WAVE fit Bluetooth for Digimatic S1 Interface  
Art No. 02AZF700

Promo price: **99.90 €\***  
Suggested retail price: ~~124.00 €\*~~

Promotion!



### Connection Cable SF for U-WAVE

for U-WAVE-T and Instruments with Digimatic S1 Interface  
Art No. 02AZG011

Promo price: **109.00 €\***  
Suggested retail price: ~~131.00 €\*~~



### U-WAVE fit Transmitter Mounting Plate

for ID-C, ID-S and ID-F Digital Indicator  
Art No. 02AZF670  
Suggested retail price: 47.00 €\*

### Spindle Lifting Lever

for Digital Indicator, A-Type Dial Indicator Serie 2/3/4  
Art No. 21EZA198

Price on application



## Spindle Lifting Cable

for Indicator, L=500mm

Art No. 21JZA295

[Price on application](#)



## Spindle Lifting Cable with Auto Stop

for Indicator, L=300mm

Art No. 21JZA301

[Price on application](#)



## Spindle Lifting Knob

for 12,7mm Range

Art No. 21EZA105

Suggested retail price: 37.00 €\*



### Standard accessories:

## Battery Case Opener

Art No. 21EAB049

Suggested retail price: 0.80 €\*



### Spare parts

#### Consumable spares:



## Lithium battery CR-2032

1 pcs.

Art No. 05SAA217D

Suggested retail price: 10.00 €\*  

---