

Digital Indicator Peak Hold, ANSI / AGD

Item number: 543-302

Images



Description

This indicator is the MAX/MIN/RANGE value holding function model

It offers the following benefits:

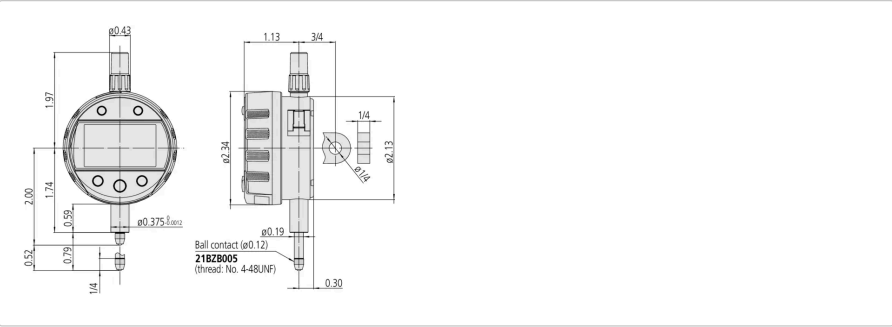
- The MAX/MIN/RANGE (run-out value) can be measured.
- A fast measurement frequency mode (detection cycle 20 ms or 50 times/s) is selectable to measure in the peak detection mode (MAX/MIN/RANGE) more reliably.
- Easy indicator setup via a setup menu.
- Analogue bar graph in the display (12 different scales switchable).
- GO/ \pm NG tolerance judgement function.
- This indicator enables the use of a calculation function for the measured value Ax.
- Coefficient A is freely definable and x = displacement of the plunger.
- A USB interface box can be used to set up the indicator from PC via dedicated software.

Features

| | |
|--|---|
| Digital/Analog: | Digital |
| Inch-Metric: | Inch/Metric |
| Delivered: | Including CR2032 battery, certificate of inspection |
| Range: | 0.5"/12.7 mm |
| Digital step: | 0.00005"/0.0001"/0.0005"/0.001 mm/0.01 mm |
| Max. Permissible Error E MPE (Total Range): | $\pm 0.0001"/0.003$ mm |
| H MPE (Hysteresis): | 0.0001"/0.002 mm |
| R MPE (Repeatability): | 0.0001"/0.002 mm |
| Measuring force MPL: | ≤ 1.5 N |
| Protection: | IP42 |
| Type: | ASME/ANSI/AGD Standard |
| Mass: | 170 g |
| Measuring force: | $\leq 1,5$ N |

| | |
|---|---|
| Display: | LCD, character height 8 mm, 330° rotatable |
| Max. response speed: | Unlimited |
| Measurement frequency (MAX/MIN/RANGE): | Standard mode: 10 times/s fast mode: 50 times/s (plunger speed max. 50 µm/s for peak measurement) |
| Alarm: | Low voltage, ABS composition error, overflow error, setting error |
| Stem ø: | 9.52 mm |
| Contact point: | Carbide ball, thread: No.4-48UNF |
| Power supply: | 1 battery CR2032 |
| Battery life: | Standard mode: approx. 1 year fast mode: approx. 4.5 month |
| Digital Scale: | Electrostatic capacitance type absolute linear encoder |
| ON/OFF: | Yes |
| ABS / INC (INC ZERO): | Yes |
| PRESET 3x: | Yes |
| ABS/INC switchable: | Yes |
| Function lock: | Yes |
| GO/±NG judgement: | Yes |
| DATA/HOLD: | Yes |
| Counting direction switchable: | Yes |
| Low voltage alarm: | Yes |
| Digital step switchable: | Yes |
| MAX/MIN/RANGE: | Yes |
| Calculation function (with formula): | Yes |
| Digimatic data output: | Yes |
| Analog bar resolution switchable: | Yes |
| Fast measurement mode: | Yes |
| Inch/Metric switchable: | Yes |


Dimensions




Accessories

Optional accessories:


Spindle Lifting Knob

for 0,5", ANSI/AGD Type
Art No. 21EZA150
Suggested retail price: 37.00 €*



Spindle Lifting Lever

for 12,7mm Range, ANSI/AGD Type
Art No. 21EZA199
Suggested retail price: 15.00 €*



USB Interface for PC Setup

ID-C Indicator
Art No. 21EZA313
Suggested retail price: 599.00 €*


Spindle Lifting Cable with Auto Stop

for Indicator, L=300mm
Art No. 21JZA301
Price on application


Spindle Lifting Cable

for Indicator, L=500mm
Art No. 21JZA295
Price on application


Promotion!



Connection Cable F for U-WAVE

Straight, without Data Button

Art No. 02AZD790F

Promo price: **63.90 €***

Suggested retail price: ~~98.00 €*~~

Promotion!



U-WAVE fit, IP67 Type

Wireless Transmitter for
Micrometer/Indicator

Art No. 264-622

Promo price: **129.00 €***

Suggested retail price: ~~185.00 €*~~

Promotion!



U-WAVE fit, Buzzer Type

Wireless Transmitter for
Micrometer/Indicator

Art No. 264-623

Promo price: **129.00 €***

Suggested retail price: ~~185.00 €*~~

Promotion!



USB Input Tool Direct (Digimatic to USB)

2m Cable, Digimatic/Digimatic 2, Flat
Straight Type

Art No. 06AFM380F

Promo price: **98.90 €***

Suggested retail price: ~~124.00 €*~~



U-WAVE fit Transmitter Mounting Plate

for ID-C, ID-S and ID-F Digital Indicator

Art No. 02AZF670

Suggested retail price: **47.00 €***



Digimatic Cable, Flat Straight Type

1m
Art No. 905338
Suggested retail price: 37.00 €*



Digimatic Cable, Flat Straight Type

2m
Art No. 905409
Suggested retail price: 44.00 €*



U-WAVE Transmitter Mounting Plate

Universal Type
Art No. 02AZE200
Suggested retail price: 33.00 €*

Promotion!



U-WAVE-T, IP67 Type

Wireless Transmitter
Art No. 02AZD730G
Promo price: **129.00 €***
~~Suggested retail price: 187.00 €*~~

Promotion!



U-WAVE-T, Buzzer Type

Wireless Transmitter
Art No. 02AZD880G
Promo price: **129.00 €***
~~Suggested retail price: 187.00 €*~~

Promotion!



U-WAVE fit Bluetooth, IP67 Type

Wireless Transmitter for
Micrometer/Indicator
Art No. 264-626

Promo price: **139.00 €***
Suggested retail price: ~~185.00 €*~~

Promotion!



U-WAVE fit Bluetooth, Buzzer Type

Wireless Transmitter for
Micrometer/Indicator
Art No. 264-627

Promo price: **139.00 €***
Suggested retail price: ~~185.00 €*~~

Spare parts

Consumable spares:



Contact Element Ball Point, 4-48UNF

1/4" Length, Carbide, Inch
Art No. 21BZB005
Suggested retail price: 15.00 €*



Lithium battery CR-2032

1 pcs.
Art No. 05SAA217D
Suggested retail price: 10.00 €*