

Linear Gauge LG100-0125 25

mm

Item number: 542-195

Images



Description

The LG100 is a very robust and economical linear gauge for in-line use and automatic machines, in combination with the EJ Counter. EH-counters can be used as well.

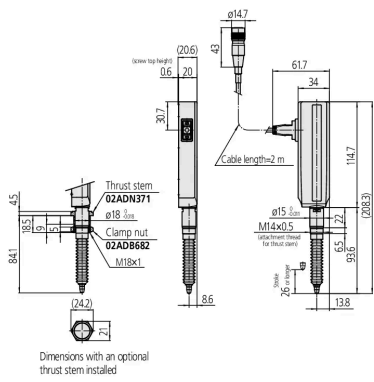
- The advanced construction of the plunger guidance assembly makes it very resistant to external shocks and vibrations.
- Its differential square-wave signal output allows for a wide range of applications.
- Long-lasting due to linear ball-bearings in the spindle unit.
- Repeatability of 0.3 μm .
- Narrow range accuracy: 0.5 μm (20 μm range).
- Operation temperature range: 0 - 50°C.

Features

Model:	LG100-0125
Range:	0 - 25 mm
Accuracy:	(0.8+L/50) μm L=measured length in mm
Measuring force:	4.6 N with spindle down, 4.3 N with spindle horizontal, 4 N with spindle upwards
Resolution:	0.0001 mm
Stem \varnothing:	15 mm
Cable length:	2 m
Mass:	300 g
Scale:	Photoelectric linear encoder
Max. response speed:	400 mm/s
Contact point:	\varnothing 3 mm carbide ball, thread: M 2.5 x 0.45
Output signal:	90° phase difference, differential square wave (RS-422 equivalent)
Environmental conditions:	0°C to 50°C (20% to 80% rel. humidity, no condensation) °C
Bearing type:	Linear ball bearing
Signal pitch:	0.4 μm
Power supply:	DC 5 V \pm 0.2 V ripple voltage 200 mVpp max
Minimum edge distance:	500 ns (1 μm type), 250 ns (0.5/0.1 μm type)

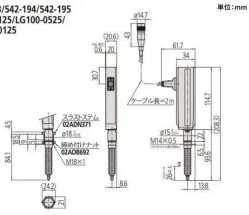
Scale reference point:

3 mm from the lowest rest point
(10 mm type),
5mm from the lowest rest point
(25/50 mm type)

Dimensions

Dimensions with an optional thrust stem installed

542-193/542-194/542-195
LG100-125/LG100-0525/
LG100-0125



Ø12:1mm

Accessories**Optional accessories:****Exchange cable (for P counter)**

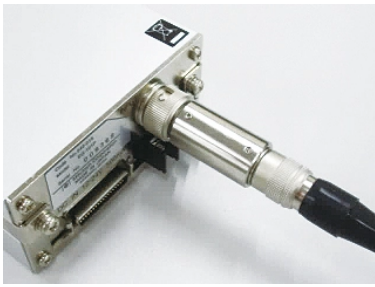
Art No. 21HZA260

Price on application

**Exchange cable (for Z-Counter)**

Art No. 21HZA261

Price on application



Exchange Plug (for P-Counter)

Art No. 21HZA195

Price on application



Exchange Plug (for Z-Counter)

Art No. 21HZA196

Price on application



Extension Cable 5 m (10P-10P)

Art No. 21HZA197

Suggested retail price: 134.00 €*



Extension Cable 10 m (10P-10P)

Art No. 21HZA198

Suggested retail price: 185.00 €*



Extension Cable 20 m (10P-10P)

Art No. 21HZA199

Suggested retail price: 308.00 €*



Thrust Stem Set (for 25 mm and 50 mm range model)

Art No. 02ADN370

Suggested retail price: 32.00 €*



Thrust Stem (part)

for 25 mm and 50 mm model

Art No. 02ADN371

Suggested retail price: 9.20 €*



Nut (part)

Art No. 02ADB692

Suggested retail price: 11.00 €*



Spanner Wrench (for 02ADB692)

Art No. 02ADB693

Suggested retail price: 16.00 €*



Silicone Rubber Boot (for 25 mm model)

Art No. 962504

Suggested retail price: 32.00 €*



HNBR Rubber Boot (for 25 mm range model)

25 mm model
Art No. 21HZA176
Suggested retail price: 10.60 €*
Suggested retail price: 10.60 €*
Suggested retail price: 10.60 €*

Promotion!



Linear Gauge Counter EH

(need 21HZA195)
Art No. 542-071D
Promo price: 999.00 €*
Suggested retail price: 1,226.00 €*
Suggested retail price: 1,226.00 €*

Promotion!



Linear Gauge Counter EH

(need 21HZA195)
Art No. 542-075D
Promo price: 829.00 €*
Suggested retail price: 1,008.00 €*
Suggested retail price: 1,008.00 €*

Promotion!



EJ-Counter -102N

Art No. 542-080
Promo price: 519.00 €*
Suggested retail price: 630.00 €*
Suggested retail price: 630.00 €*

Promotion!



EJ Counter-102NE

Art No. 542-081

Promo price: **519.00 €***

Suggested retail price: ~~630.00 €*~~



Air Drive Unit for Linear Gauges 25 mm

25 mm

Art No. 02ADE250

Suggested retail price: 554.00 €*

Spare parts

Consumable spares:



Contact Element Ball Point, M2,5x0,45

7,3mm Length, Carbide, Metric

Art No. 901312

Suggested retail price: 14.00 €*