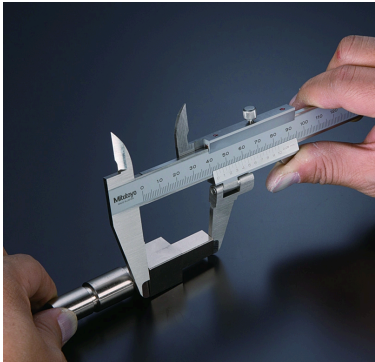
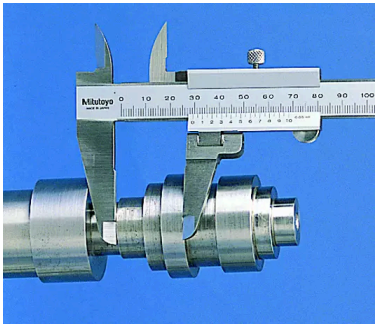


Vernier Caliper Swivel Jaw

Item number: 536-212

Images



Description

A Mitutoyo vernier caliper equipped with a special swivelling jaw on the slider for measurement of the width of varying diameter sections on shafts. Hardened stainless steel construction with easy-to-read, satin-chromed scales.

Features

Delivered:	In a case
Range:	0 - 200 mm
Max. Permissible Error E MPE:	$\pm 0,05$ mm
Max. Permissible Error S MPE:	$\pm 0,07$ mm
Remarks:	Swivel range $\pm 90^\circ$
Mass:	190 g

Dimensions

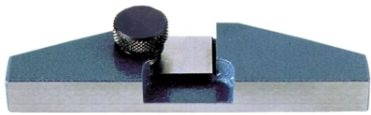
Accessories

Standard accessories:



Depth Base Attachment for Caliper

75mm width for 100, 150, 200mm Range
Art No. 050083-10
Suggested retail price: **60.00 €***



Depth Base Attachment for Caliper

100mm width for 100, 150, 200mm Range
Art No. 050084-10
Suggested retail price: **67.00 €***
