

## Vernier Point Jaw Inside Caliper

Item number: 536-149

### Images



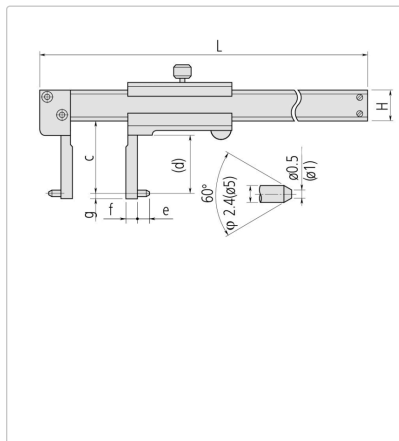
### Description

Caliper with outside angled tips

### Features

<b>Range:</b>	70.1 - 600 mm
<b>Graduation:</b>	0,05 mm
<b>Delivered:</b>	In a case
<b>Max. Permissible Error S MPE:</b>	$\pm 0,12$ mm
<b>Mass:</b>	1430 g

### Dimensions



**L:** 750 mm  
**c:** 145 mm  
**d:** 136 mm  
**e:** 10 mm  
**f:** 25 mm  
**g:** 5 mm  
**H:** 25 mm