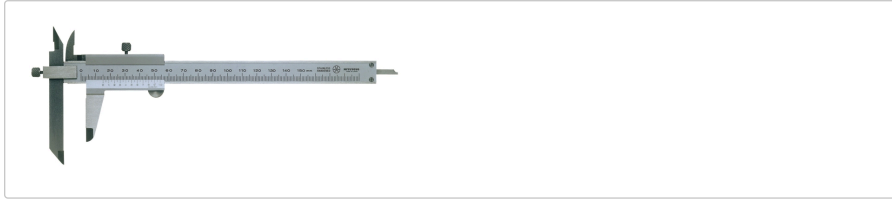


Vernier Offset Caliper

Item number: 536-103

Images



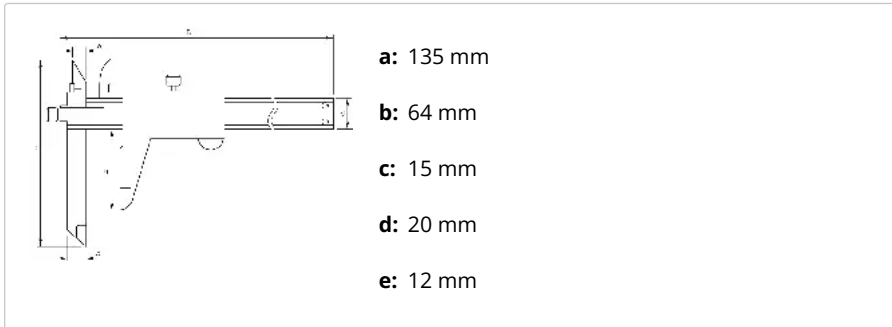
Description

Caliper with adjustable measuring jaw and depth gauge

Features

Range:	0 - 300 mm
Graduation:	0,05 mm
Delivered:	In a case
Max. Permissible Error E MPE:	$\pm 0,08$ mm
Max. Permissible Error S MPE:	$\pm 0,10$ mm
Mass:	400 g

Dimensions



Accessories

Optional accessories:

Depth Base Attachment for Caliper

125mm width for 300mm Range
Art No. 050085-10
Suggested retail price: 74.00 €*