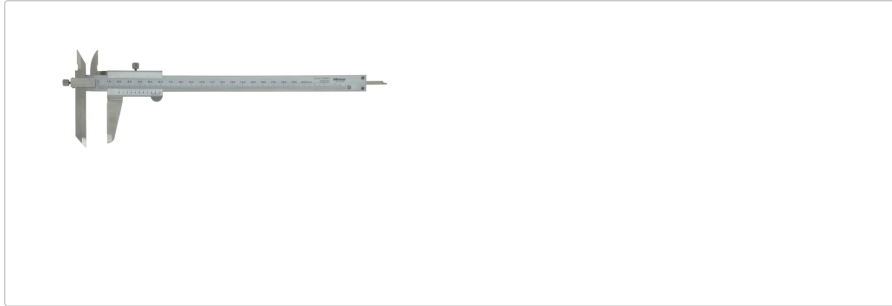


## Vernier Offset Caliper

Item number: 536-102

### Images



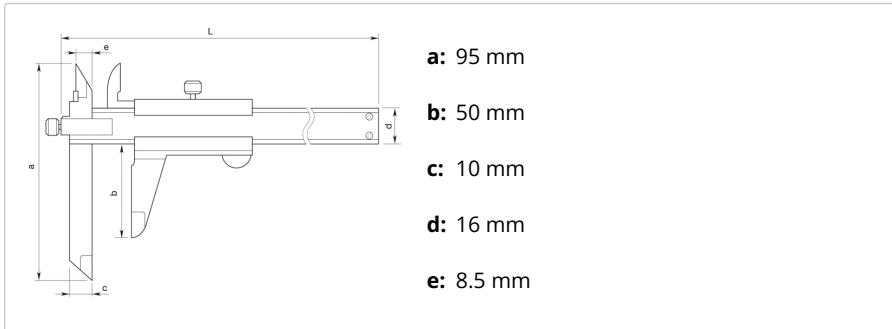
### Description

Caliper with adjustable measuring jaw and depth gauge

### Features

<b>Delivered:</b>	In a case
<b>Range:</b>	0 - 200 mm
<b>Graduation:</b>	0,05 mm
<b>Max. Permissible Error E MPE:</b>	$\pm 0,05$ mm
<b>Max. Permissible Error S MPE:</b>	$\pm 0,07$ mm
<b>Mass:</b>	200 g

### Dimensions



### Accessories

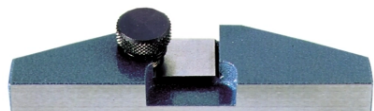
Standard accessories:



#### Depth Base Attachment for Caliper

75mm width for 100, 150, 200mm Range  
Art No. 050083-10  
Suggested retail price: 60.00 €\*

## Depth Base Attachment for Caliper



100mm width for 100, 150, 200mm Range

Art No. 050084-10

Suggested retail price: **67.00 €\***

---