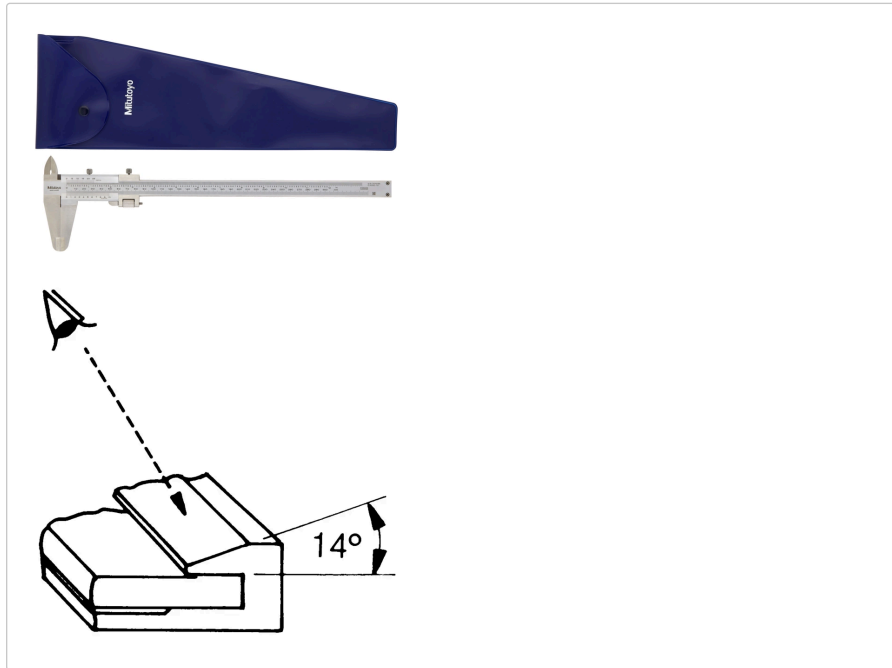


Vernier Caliper, Fine Adjustment

Item number: 532-121

Images



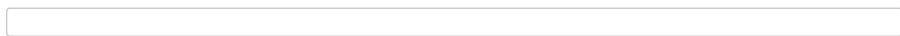
Description

A Mitutoyo dual-scale vernier caliper equipped with a fine-adjustment wheel and standard outside and inside jaws with easy-to-read, satin-chromed scales.

Features

Range:	0 - 280 mm
Graduation:	0.02 mm/ 0.001"
Delivered:	In a paper case
Depth bar:	flat
Max. Permissible Error E MPE:	±0,04 mm
Max. Permissible Error S MPE:	±0,06 mm
Mass:	395 g

Dimensions



Accessories

Optional accessories:



Depth Base Attachment for Caliper

125mm width for 300mm Range
Art No. 050085-10
Suggested retail price: 74.00 €*

