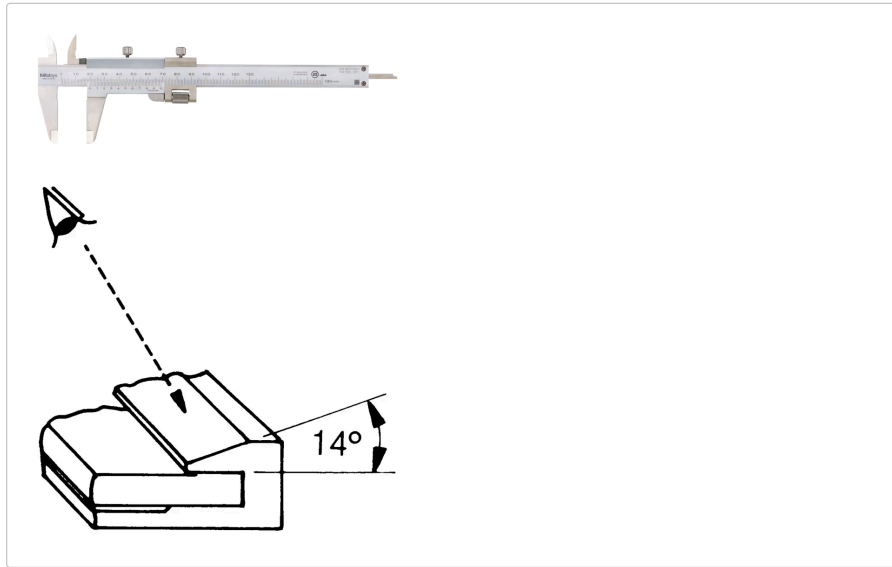


Vernier Caliper, Fine Adjustment

Item number: 532-101

Images



Description

A Mitutoyo vernier caliper equipped with a fine-adjustment wheel and standard outside and inside jaws with easy-to-read, satin-chromed scales.

Features

Range:	0 - 130 mm
Graduation:	0.02 mm
Delivered:	In a paper case
Depth bar:	flat
Max. Permissible Error E MPE:	$\pm 0,03$ mm
Max. Permissible Error S MPE:	$\pm 0,05$ mm
Mass:	165 g

Dimensions

Accessories

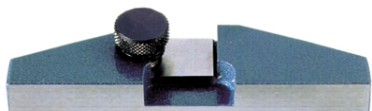
Optional accessories:



Depth Base Attachment for Caliper

75mm width for 100, 150, 200mm Range
Art No. 050083-10
Suggested retail price: 60.00 €*

Depth Base Attachment for Caliper



100mm width for 100, 150, 200mm Range

Art No. 050084-10

Suggested retail price: 67.00 €*
