

## Vernier Caliper

Item number: 530-501

### Images



### Description

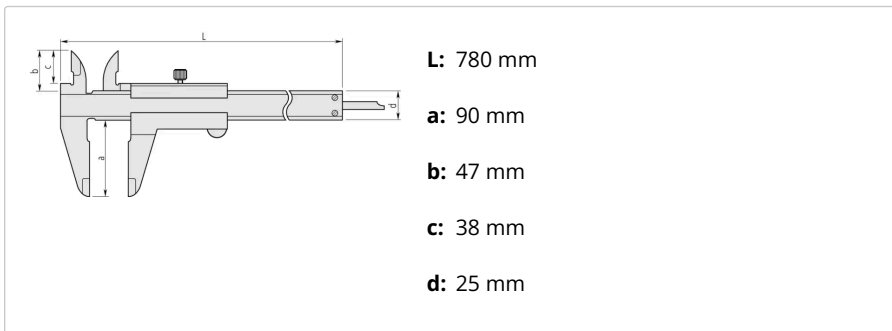
This is a standard type of vernier caliper that offers you the following benefits:

- Main scale and vernier scale satin chrome finish gives you high readability.
- Raised sliding surfaces.

### Features

|                                      |               |
|--------------------------------------|---------------|
| <b>With upper locking screw:</b>     | Yes           |
| <b>Range:</b>                        | 0 - 600 mm    |
| <b>Graduation:</b>                   | 0,05 mm       |
| <b>Delivered:</b>                    | In a box      |
| <b>Depth bar:</b>                    | without       |
| <b>Max. Permissible Error E MPE:</b> | $\pm 0,1$ mm  |
| <b>Max. Permissible Error S MPE:</b> | $\pm 0,12$ mm |
| <b>Mass:</b>                         | 1300 g        |

### Dimensions



### Accessories

Optional accessories:

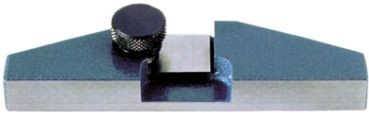


#### Depth Base Attachment for Caliper

75mm width for 100, 150, 200mm Range

Art No. 050083-10

Suggested retail price: 60.00 €\*



### **Depth Base Attachment for Caliper**

100mm width for 100, 150, 200mm Range  
Art No. 050084-10  
Suggested retail price: **67.00 €\***

---



### **Depth Base Attachment for Caliper**

125mm width for 300mm Range  
Art No. 050085-10  
Suggested retail price: **74.00 €\***

---