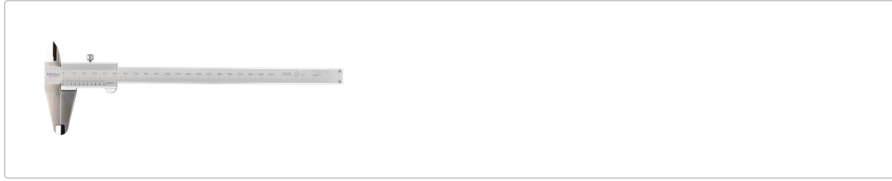


Vernier Caliper

Item number: 530-108

Images



Description

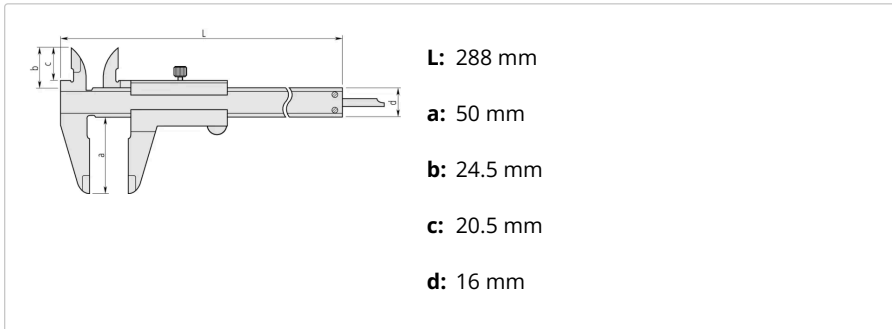
This is a standard type of vernier caliper that offers you the following benefits:

- Main scale and vernier scale satin chrome finish gives you high readability.
- Raised sliding surfaces.

Features

With upper locking screw:	Yes
Range:	0 - 200 mm
Graduation:	0,05 mm
Delivered:	In a paper case
Depth bar:	flat
Max. Permissible Error E MPE:	$\pm 0,05$ mm
Max. Permissible Error S MPE:	$\pm 0,07$ mm
Mass:	180 g

Dimensions



Accessories

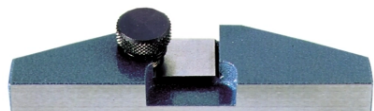
Optional accessories:



Depth Base Attachment for Caliper

75mm width for 100, 150, 200mm Range
Art No. 050083-10
Suggested retail price: 60.00 €*

Depth Base Attachment for Caliper



100mm width for 100, 150, 200mm Range

Art No. 050084-10

Suggested retail price: 67.00 €*
