

Vernier Caliper

Item number: 530-100

Images



Description

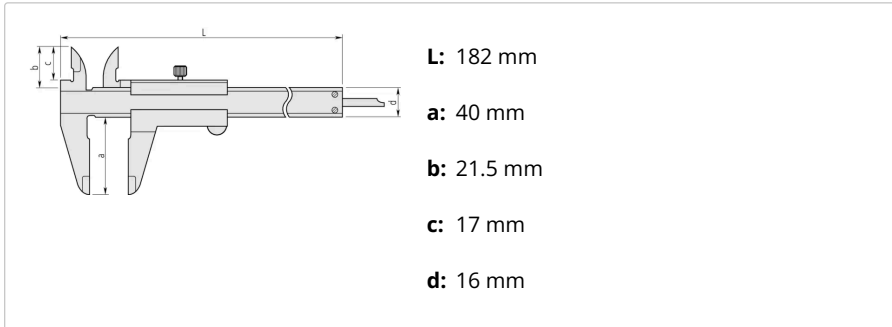
This is a standard type of vernier caliper that offers you the following benefits:

- Main scale and vernier scale satin chrome finish gives you high readability.
- Raised sliding surfaces.

Features

With upper locking screw:	Yes
Delivered:	In a paper case
Range:	0 - 100 mm
Graduation:	0,05 mm
Depth bar:	Ø 1.9 mm
Max. Permissible Error E MPE:	±0,05 mm
Max. Permissible Error S MPE:	±0,07 mm
Mass:	128 g

Dimensions



Accessories

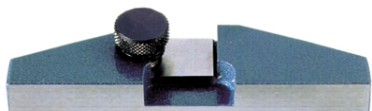
Standard accessories:



Depth Base Attachment for Caliper

75mm width for 100, 150, 200mm Range
Art No. 050083-10
Suggested retail price: 60.00 €*

Depth Base Attachment for Caliper



100mm width for 100, 150, 200mm Range

Art No. 050084-10

Suggested retail price: **67.00 €***
