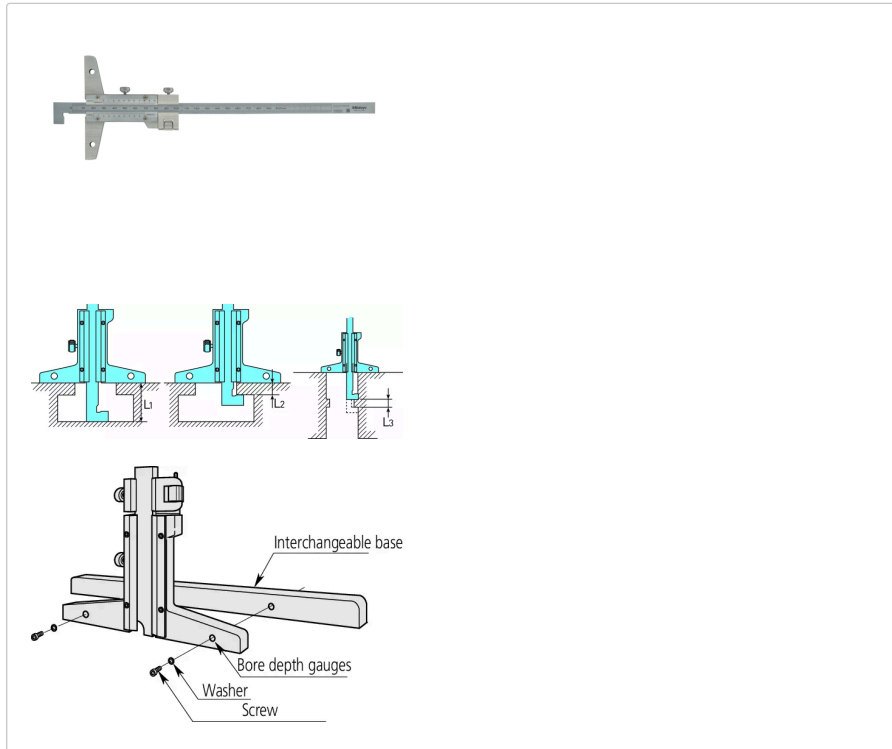


## Vernier Depth Gauge Hook Type

Item number: 527-412

### Images



### Description

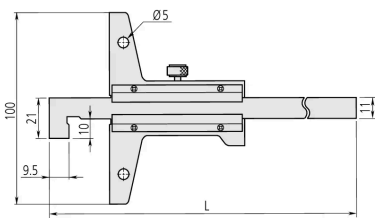
This hook type vernier depth gauge offers you the following benefits:

- The end of the beam is hook-shaped so you can take depth and thickness measurements of a projected portion or lip in a hole, as well as standard depth measurements.
- Its base and measuring faces are hardened and micro-lapped for robustness.
- Fine adjustment models are available.

### Features

<b>Inch-Metric:</b>	Metric
<b>Digital/Analog:</b>	Analog
<b>Depth range:</b>	10.1-200 mm
<b>Hook range:</b>	0-200 mm
<b>Graduation:</b>	0,02 mm
<b>Max. Permissible Error E MPE:</b>	±0,03 mm
<b>Delivered:</b>	In a box
<b>Mass:</b>	300 g

### Dimensions



L: 310 mm

## Accessories

### Optional accessories:

#### Extension Base, Depth Gauge

180mm width for up to 300mm Range

Art No. 900370

Suggested retail price: 69.00 €\*  


#### Extension Base, Depth Gauge

260mm width for up to 300mm Range

Art No. 900371

Suggested retail price: 93.00 €\*  


#### Extension Base, Depth Gauge

320mm width for up to 300mm Range

Art No. 900372

Suggested retail price: 107.00 €\*  
