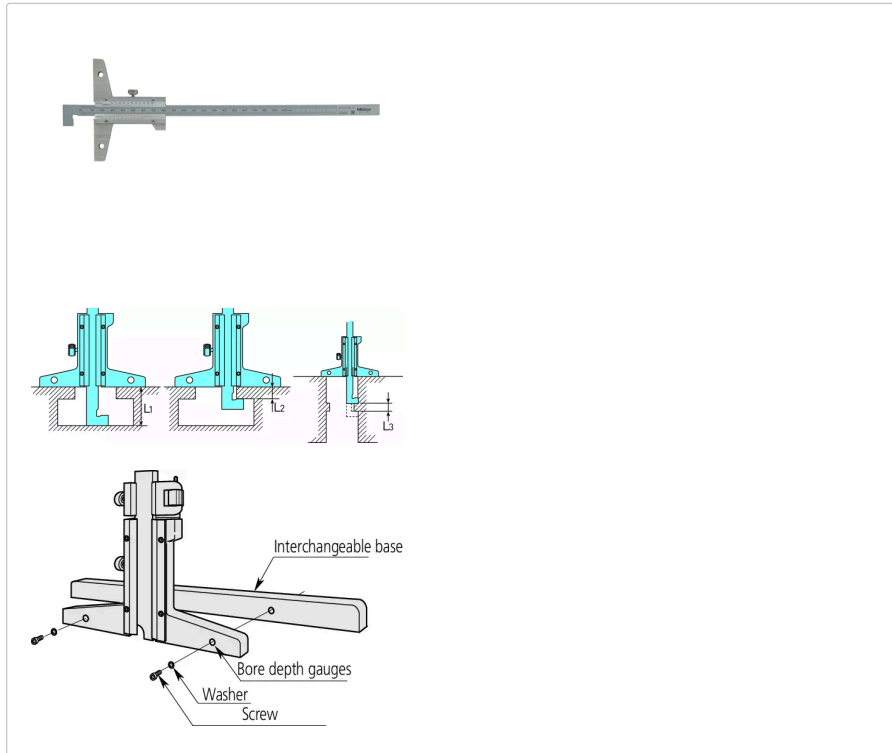


Vernier Depth Gauge Hook Type

Item number: 527-402

Images



Description

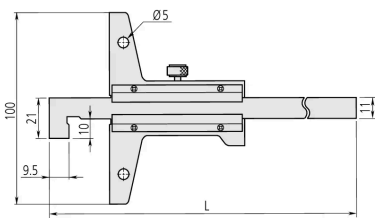
This hook type vernier depth gauge offers you the following benefits:

- The end of the beam is hook-shaped so you can take depth and thickness measurements of a projected portion or lip in a hole, as well as standard depth measurements.
- Its base and measuring faces are hardened and micro-lapped for robustness.
- Fine adjustment models are available.

Features

Inch-Metric:	Metric
Digital/Analog:	Analog
Depth range:	10.1-200 mm
Hook range:	0-200 mm
Graduation:	0,05 mm
Max. Permissible Error E MPE:	±0,05 mm
Mass:	240 g
Delivered:	In a box

Dimensions



L: 310 mm

Accessories

Optional accessories:

Extension Base, Depth Gauge

180mm width for up to 300mm Range

Art No. 900370

Suggested retail price: 69.00 €*


Extension Base, Depth Gauge

260mm width for up to 300mm Range

Art No. 900371

Suggested retail price: 93.00 €*


Extension Base, Depth Gauge

320mm width for up to 300mm Range

Art No. 900372

Suggested retail price: 107.00 €*
