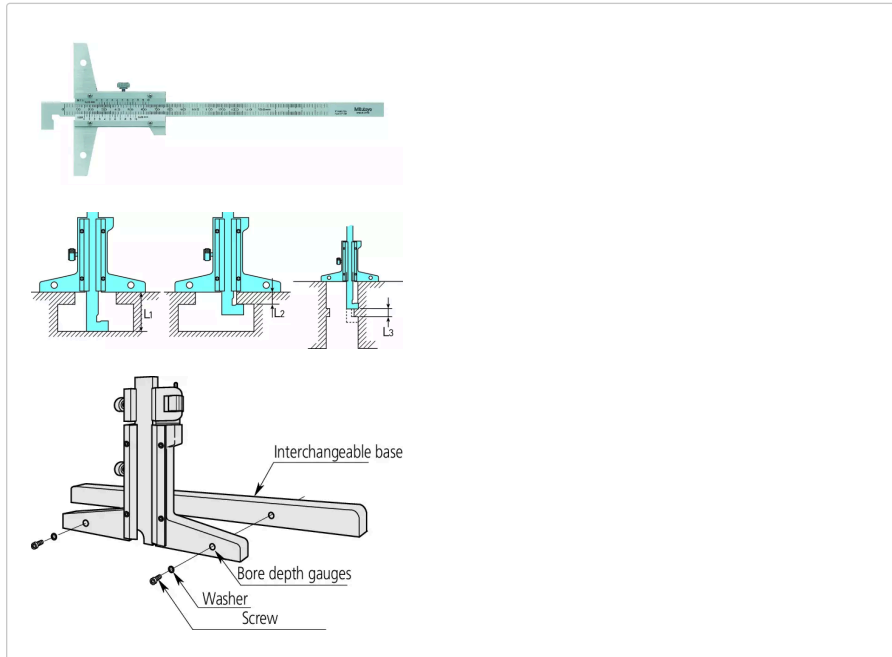


Vernier Depth Gauge Hook Type

Item number: 527-401

Images



Description

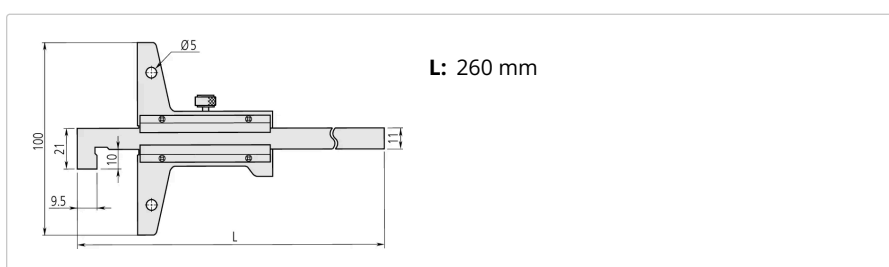
This hook type vernier depth gauge offers you the following benefits:

- The end of the beam is hook-shaped so you can take depth and thickness measurements of a projected portion or lip in a hole, as well as standard depth measurements.
- Its base and measuring faces are hardened and micro-lapped for robustness.
- Fine adjustment models are available.

Features

| | |
|--------------------------------------|---------------|
| Inch-Metric: | Metric |
| Digital/Analog: | Analog |
| Depth range: | 10.1-150 mm |
| Hook range: | 0-150 mm |
| Graduation: | 0,05 mm |
| Max. Permissible Error E MPE: | $\pm 0,05$ mm |
| Mass: | 240 g |
| Delivered: | In a box |

Dimensions



Accessories

Optional accessories:

Extension Base, Depth Gauge

180mm width for up to 300mm Range

Art No. 900370

Suggested retail price: 69.00 €*



Extension Base, Depth Gauge

260mm width for up to 300mm Range

Art No. 900371

Suggested retail price: 93.00 €*



Extension Base, Depth Gauge

320mm width for up to 300mm Range

Art No. 900372

Suggested retail price: 107.00 €*

