

Vernier Depth Gauge

Item number: 527-205

Images



Description

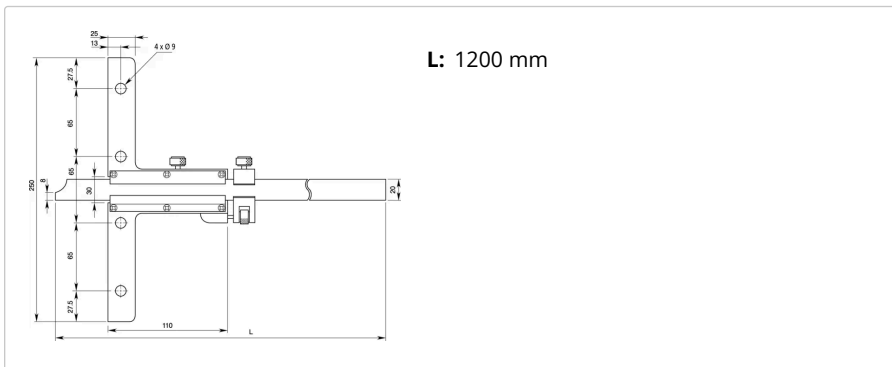
This vernier depth gauge offers you the following benefits:

- Its base and measuring faces are hardened and micro-lapped for robustness.
- Fine adjustment models available.

Features

Inch-Metric:	Metric
Digital/Analog:	Analog
Graduation:	0,05 mm
Max. Permissible Error E MPE:	$\pm 0,15$ mm
Base (W x T):	250 x 10 mm
Mass:	1880 g
Delivered:	In a box

Dimensions



L: 1200 mm


Accessories

Optional accessories:

Extension Base, Depth Gauge

180mm width for up to 300mm Range

Art No. 900370

Suggested retail price: 69.00 €*


Extension Base, Depth Gauge

260mm width for up to 300mm Range

Art No. 900371

Suggested retail price: 93.00 €*



Extension Base, Depth Gauge

320mm width for up to 300mm Range

Art No. 900372

Suggested retail price: 107.00 €*

