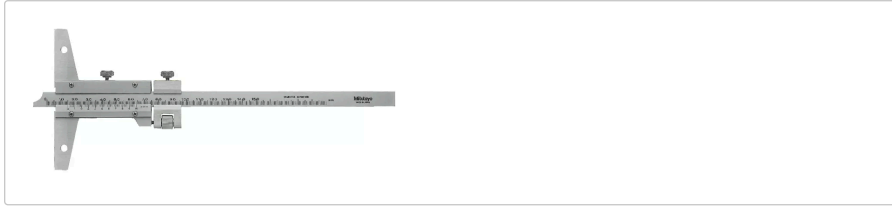


Vernier Depth Gauge

Item number: 527-104

Images



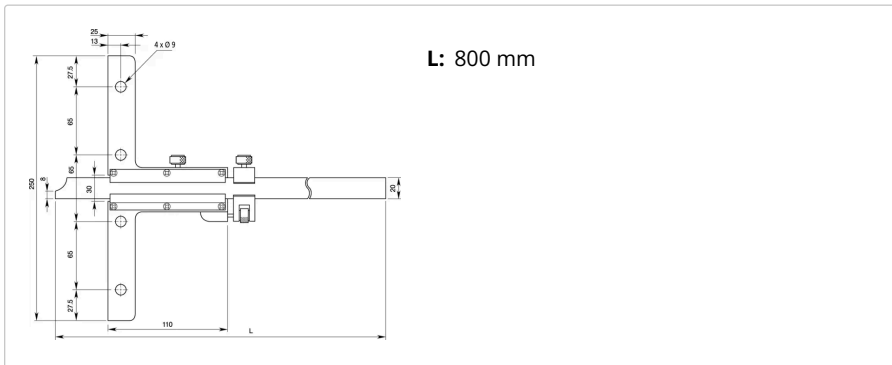
Description

A Mitutoyo vernier depth gauge with a 100mm base and fine adjustment. Hardened stainless steel construction with easy-to-read, satin-chromed scales.

Features

Inch-Metric:	Metric
Digital/Analog:	Analog
Graduation:	0,02 mm
Max. Permissible Error E MPE:	$\pm 0,05$ mm
Base (W x T):	250 x 10 mm
Functions:	With fine adjustment
Mass:	1510 g
Delivered:	In a box

Dimensions




Accessories

Optional accessories:

Extension Base, Depth Gauge

180mm width for up to 300mm Range

Art No. 900370

Suggested retail price: 69.00 €*


Extension Base, Depth Gauge

260mm width for up to 300mm Range

Art No. 900371

Suggested retail price: 93.00 €*



Extension Base, Depth Gauge

320mm width for up to 300mm Range

Art No. 900372

Suggested retail price: 107.00 €*

